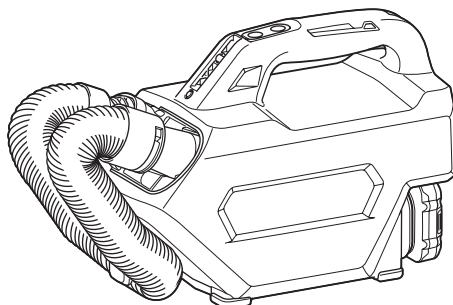




EN	Cordless Cleaner	INSTRUCTION MANUAL	8
PL	Odkurzacz Akumulatorowy	INSTRUKCJA OBSŁUGI	15
HU	Vezeték nélküli porszívó	HASZNÁLATI KÉZIKÖNYV	23
SK	Akumulátorový vysávač	NÁVOD NA OBSLUHU	30
CS	Akumulátorový vysavač	NÁVOD K OBSLUZE	37
UK	Бездротовий пилосос	ІНСТРУКЦІЯ З ЕКСПЛУАТАЦІЇ	44
RO	Aspirator cu acumulator	MANUAL DE INSTRUCȚIUNI	52
DE	Akku-Staubsauger	BETRIEBSANLEITUNG	59

CL121D



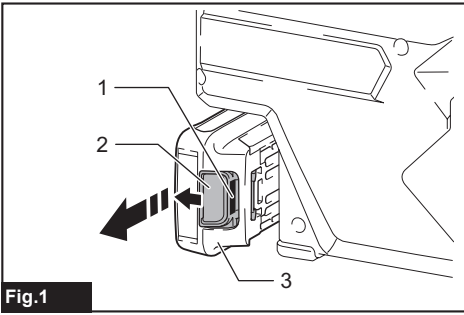


Fig.1

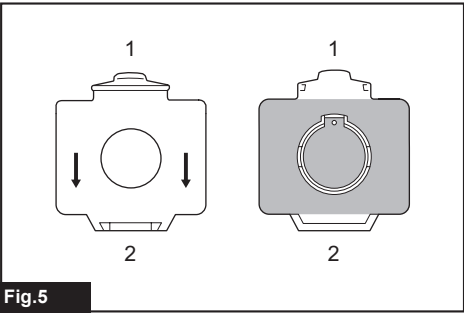


Fig.5

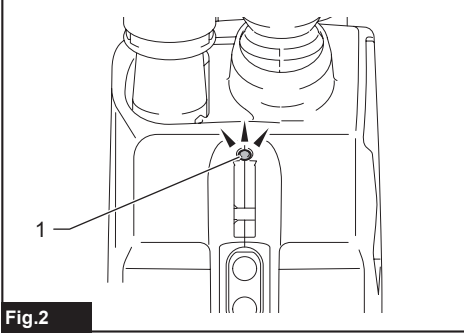


Fig.2

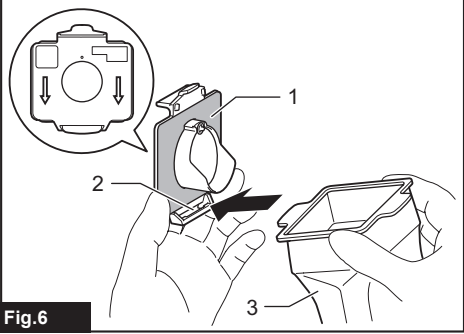


Fig.6

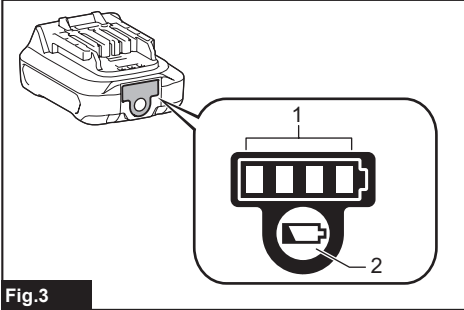


Fig.3

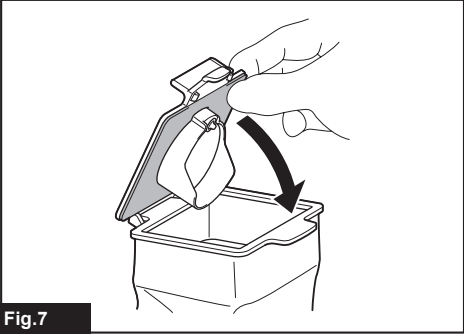


Fig.7

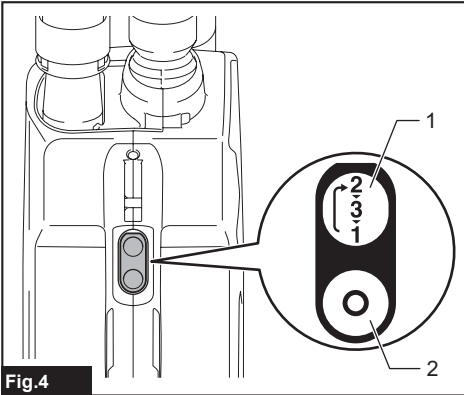


Fig.4

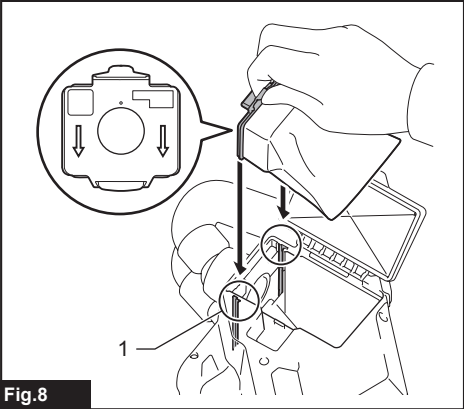


Fig.8

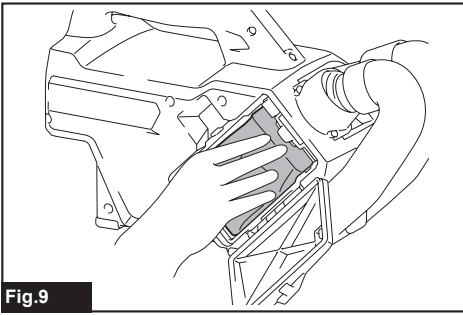


Fig.9

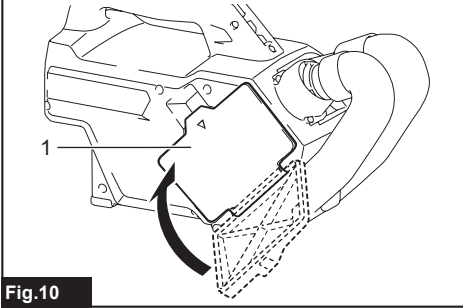


Fig.10

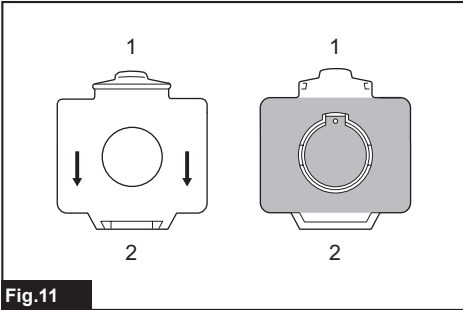


Fig.11

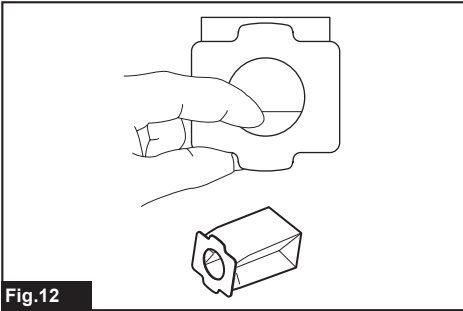


Fig.12

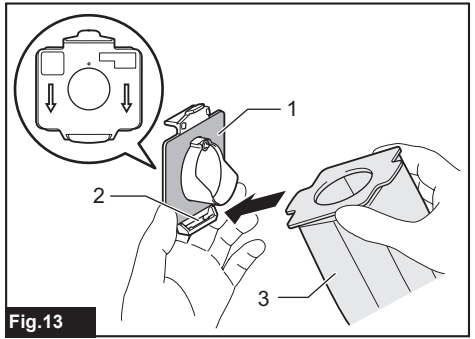


Fig.13

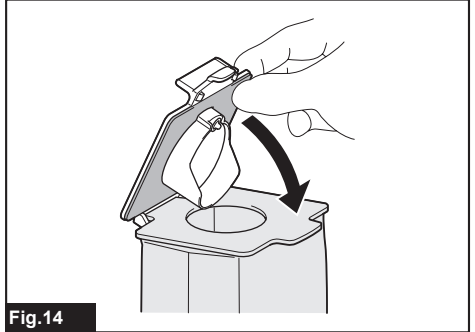


Fig.14

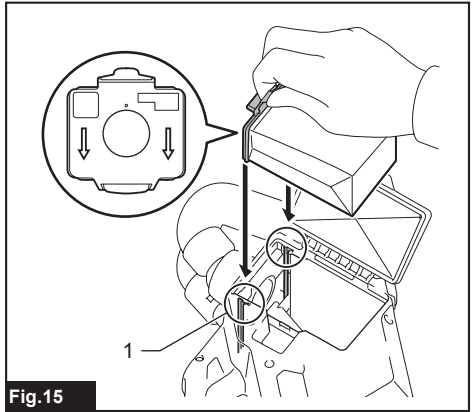


Fig.15

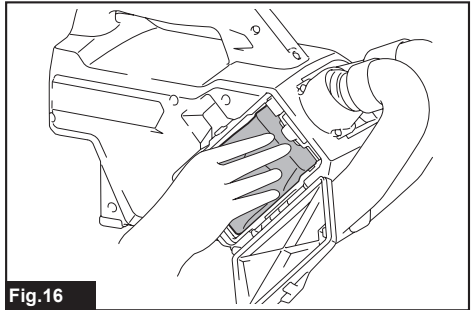


Fig.16

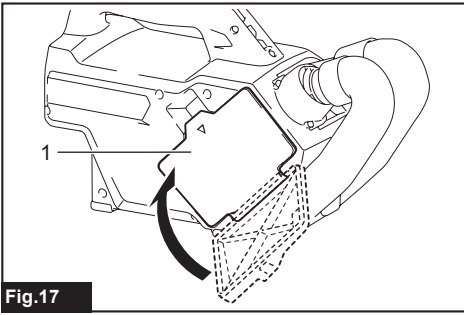


Fig.17

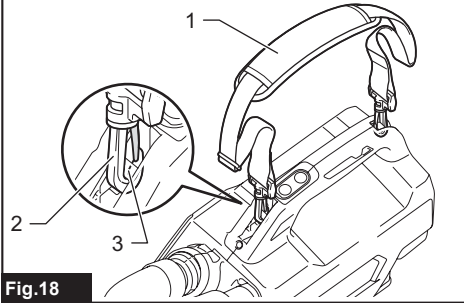


Fig.18

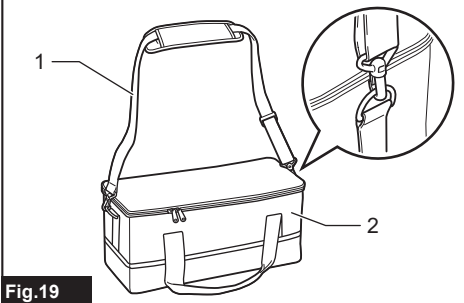


Fig.19

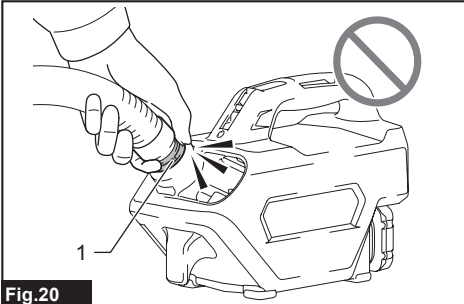


Fig.20

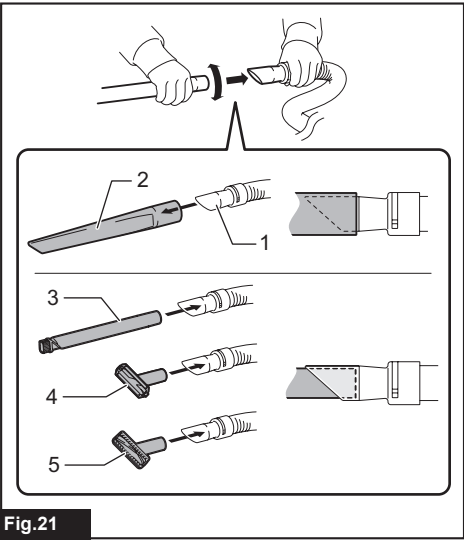


Fig.21

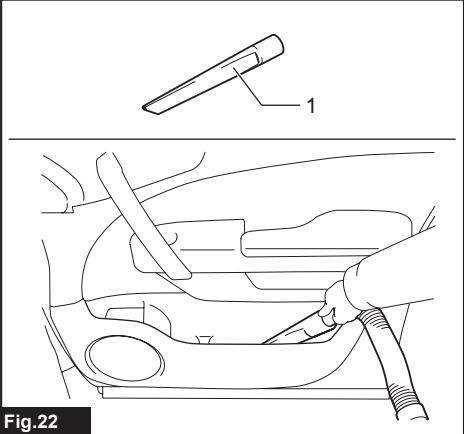


Fig.22

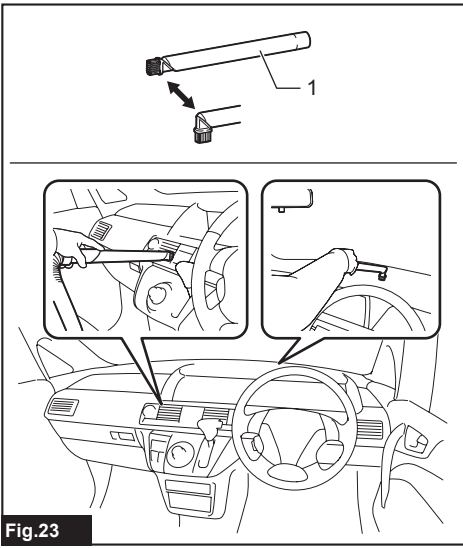


Fig.23

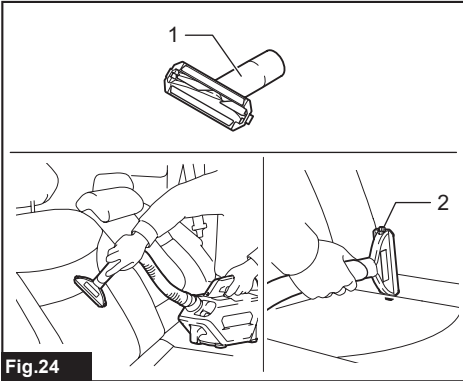


Fig.24

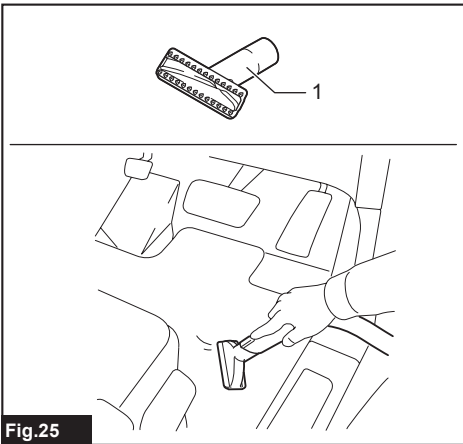


Fig.25

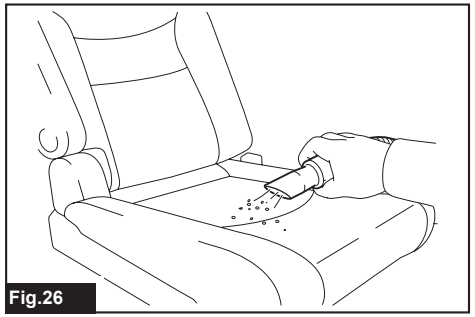


Fig.26

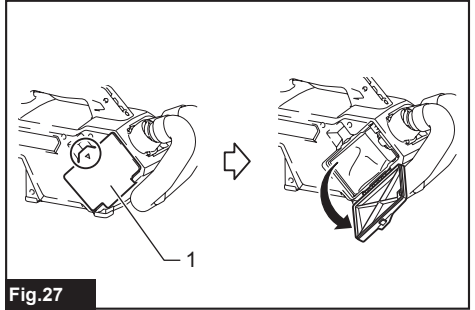


Fig.27

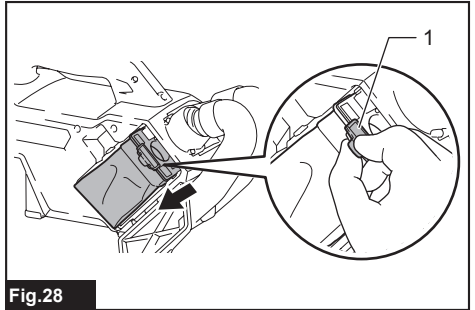


Fig.28

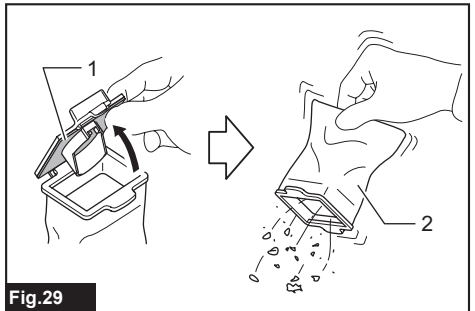


Fig.29

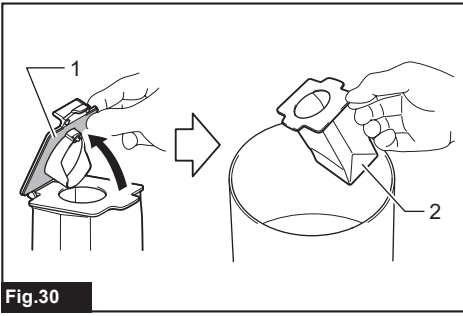


Fig.30

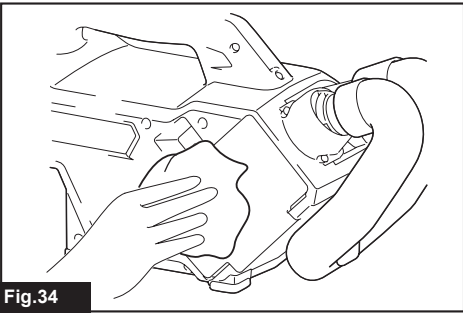


Fig.34

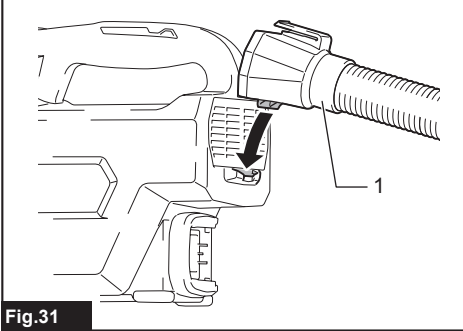


Fig.31

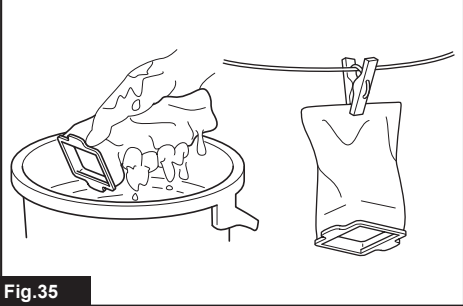


Fig.35

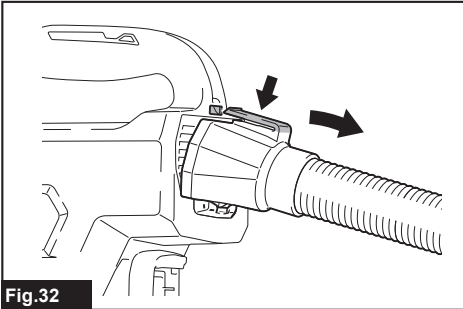


Fig.32

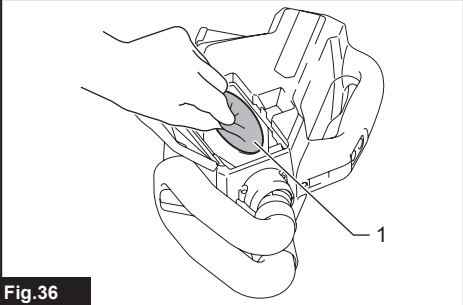


Fig.36

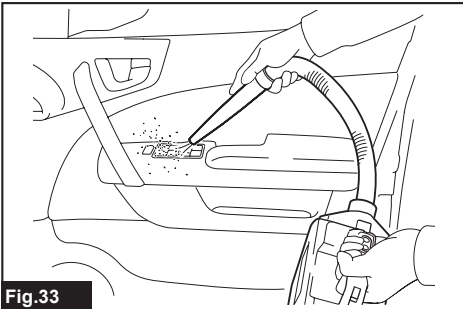


Fig.33

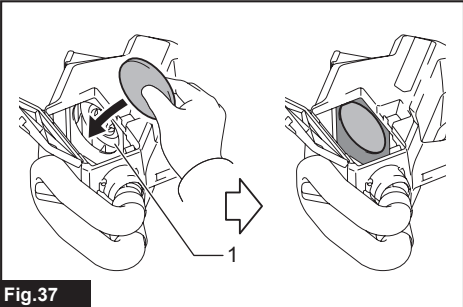


Fig.37

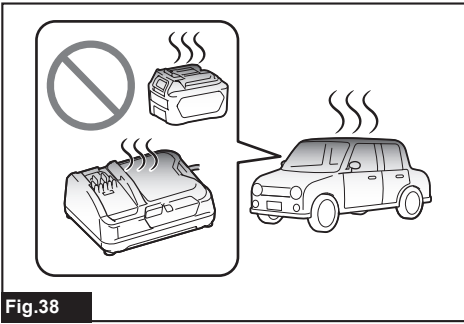


Fig.38

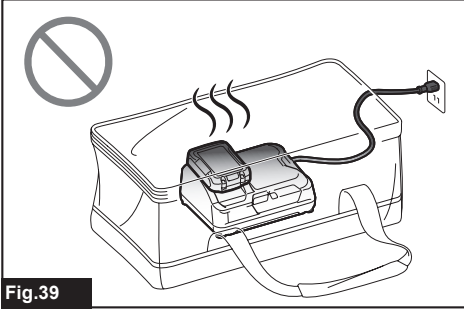


Fig.39

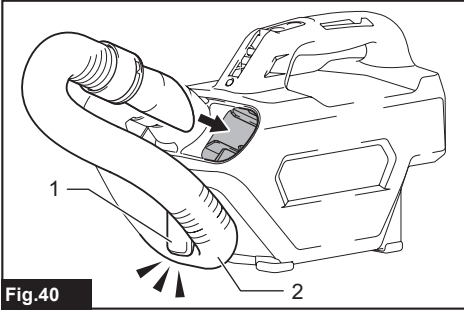


Fig.40

WARNING

This appliance can be used by children aged from 8 years and above and persons with reduced physical, sensory or mental capabilities or lack of experience and knowledge if they have been given supervision or instruction concerning use of the appliance in a safe way and understand the hazards involved. Children shall not play with the appliance. Cleaning and user maintenance shall not be made by children without supervision.

SPECIFICATIONS

Model:		CL121D
Capacity	with a dust bag	500 mL
	with a paper filter	330 mL
Continuous use (with battery BL1016)	1 (Normal speed mode)	Approx. 25 min
	2 (High speed mode)	Approx. 12 min
	3 (Max speed mode)	Approx. 10 min
Overall length (with battery BL1016)		345 mm
Rated voltage		D.C. 10.8 V - 12 V max
Net weight		1.7 - 1.8 kg

- Due to our continuing program of research and development, the specifications herein are subject to change without notice.
- Specifications may differ from country to country.
- The weight does not include accessories but battery cartridge(s). The lightest and heaviest combination weight of the appliance and battery cartridge(s) are shown in the table.

Applicable battery cartridge and charger

Battery cartridge	BL1015 / BL1016 / BL1020B / BL1021B / BL1040B / BL1041B
Charger	DC10SA / DC10SB / DC10WC / DC10WD / DC18RE

- Some of the battery cartridges and chargers listed above may not be available depending on your region of residence.

⚠ WARNING: Only use the battery cartridges and chargers listed above. Use of any other battery cartridges and chargers may cause injury and/or fire.

Symbols

The followings show the symbols used for the equipment. Be sure that you understand their meaning before use.



Read instruction manual.



Only for EU countries
Do not dispose of electric equipment or battery pack together with household waste material! In observance of the European Directives, on Waste Electric and Electronic Equipment and Batteries and Accumulators and Waste Batteries and Accumulators and their implementation in accordance with national laws, electric equipment and batteries and battery pack(s) that have reached the end of their life must be collected separately and returned to an environmentally compatible recycling facility.

Intended use

The tool is intended for collecting dry dust.

SAFETY WARNINGS

Cordless cleaner safety warnings

⚠ WARNING: IMPORTANT! READ CAREFULLY all safety warnings and all instructions BEFORE USE. Failure to follow the warnings and instructions may result in electric shock, fire and/or serious injury.

1. Do not expose to rain. Store indoors.
2. Do not allow to be used as a toy. Close attention is necessary when used by or near children.
3. Use only as described in this manual. Use only manufacturer's recommended attachments.
4. Do not use with damaged battery. If appliance is not working as it should, has been dropped, damaged, left outdoors, or dropped into water, return it to a service center.
5. Do not handle appliance with wet hands.
6. Do not put any object into openings. Do not use with any opening blocked; keep free of dust, lint, hair, and anything that may reduce air flow.
7. Keep hair, loose clothing, fingers, and all parts of body away from openings and moving parts.
8. Turn off all controls before removing the battery.
9. Use extra care when cleaning on stairs.
10. Do not use to pick up flammable or combustible liquids, such as gasoline, or use in areas where they may be present.
11. Use only the charger supplied by the manufacturer to recharge.
12. Do not pick up anything that is burning or smoking, such as cigarettes, matches, or hot ashes.
13. Do not use without dust bag and/or filters in place.
14. Do not charge the battery outdoors.
15. Recharge only with the charger specified by the manufacturer. A charger that is suitable for one type of battery pack may create a risk of fire when used with another battery pack.
16. Use power tools only with specifically designated battery packs. Use of any other battery packs may create a risk of injury and fire.
17. When (the) battery pack is not in use, keep it away from other metal objects, like paper clips, coins, keys, nails, screws or other small metal objects, that can make a connection from one terminal to another.
18. Under abusive conditions, liquid may be ejected from the battery; avoid contact. If contact accidentally occurs, flush with water.
19. Do not use a battery pack or tool that is damaged or modified. Damaged or modified batteries may exhibit unpredictable behaviour resulting in fire, explosion or risk of injury.

20. Do not expose a battery pack or tool to fire or excessive temperature. Exposure to fire or temperature above 130 °C may cause explosion.
21. Follow all charging instructions and do not charge the battery pack or tool outside the temperature range specified in the instructions. Charging improperly or at temperatures outside the specified range may damage the battery and increase the risk of fire.

SAVE THESE INSTRUCTIONS.

ADDITIONAL SAFETY RULES

This appliance is intended for household use.

1. Read this instruction manual and the charger instruction manual carefully before use.
2. Do not pick up the following materials:
 - Hot materials such as lit cigarettes or spark/metal dust generated by grinding/cutting metal
 - Flammable materials such as gasoline, thinner, benzine, kerosene or paint
 - Explosive materials like nitroglycerin
 - Ignitable materials such as Aluminum, zinc, magnesium, titanium, phosphorus or celluloid
 - Wet dirt, water, oil or the like
 - Hard pieces with sharp edges, such as wood chips, metals, stones, glasses, nails, pins or razors
 - Powder to clot such as cement or toner
 - Conductive dust such as metal or carbon
 - Fine particle like concrete dustSuch action may cause fire, injury and/or property damage.
3. Stop operation immediately if you notice anything abnormal.
4. If you drop or strike the cleaner, check it carefully for cracks or damage before operation.
5. Do not bring close to stoves or other heat sources.
6. Do not block the intake hole or vent holes.

SAVE THESE INSTRUCTIONS.

Important safety instructions for battery cartridge

1. Before using battery cartridge, read all instructions and cautionary markings on (1) battery charger, (2) battery, and (3) product using battery.
2. Do not disassemble battery cartridge.
3. If operating time has become excessively shorter, stop operating immediately. It may result in a risk of overheating, possible burns and even an explosion.
4. If electrolyte gets into your eyes, rinse them out with clear water and seek medical attention right away. It may result in loss of your eyesight.

5. **Do not short the battery cartridge:**
 - (1) **Do not touch the terminals with any conductive material.**
 - (2) **Avoid storing battery cartridge in a container with other metal objects such as nails, coins, etc.**
 - (3) **Do not expose battery cartridge to water or rain.**

A battery short can cause a large current flow, overheating, possible burns and even a breakdown.

6. **Do not store the tool and battery cartridge in locations where the temperature may reach or exceed 50 °C (122 °F).**
7. **Do not incinerate the battery cartridge even if it is severely damaged or is completely worn out. The battery cartridge can explode in a fire.**
8. **Be careful not to drop or strike battery.**
9. **Do not use a damaged battery.**
10. **The contained lithium-ion batteries are subject to the Dangerous Goods Legislation requirements.**

For commercial transports e.g. by third parties, forwarding agents, special requirement on packaging and labeling must be observed.

For preparation of the item being shipped, consulting an expert for hazardous material is required. Please also observe possibly more detailed national regulations.

Tap or mask off open contacts and pack up the battery in such a manner that it cannot move around in the packaging.

11. **Follow your local regulations relating to disposal of battery.**
12. **Use the batteries only with the products specified by Makita.** Installing the batteries to non-compliant products may result in a fire, excessive heat, explosion, or leak of electrolyte.

SAVE THESE INSTRUCTIONS.

⚠ CAUTION: Only use genuine Makita batteries. Use of non-genuine Makita batteries, or batteries that have been altered, may result in the battery bursting causing fires, personal injury and damage. It will also void the Makita warranty for the Makita tool and charger.

Tips for maintaining maximum battery life

1. **Charge the battery cartridge before completely discharged. Always stop tool operation and charge the battery cartridge when you notice less tool power.**
2. **Never recharge a fully charged battery cartridge. Overcharging shortens the battery service life.**
3. **Charge the battery cartridge with room temperature at 10 °C - 40 °C (50 °F - 104 °F). Let a hot battery cartridge cool down before charging it.**

FUNCTIONAL DESCRIPTION

⚠ CAUTION: Always be sure that the tool is switched off and the battery cartridge is removed before adjusting or checking function on the tool.

⚠ CAUTION: Take care not to trap finger(s) between cleaner and battery when loading battery. Trapping finger(s) may cause injury.

Installing or removing battery cartridge

⚠ CAUTION: Always switch off the tool before installing or removing of the battery cartridge.

⚠ CAUTION: Hold the tool and the battery cartridge firmly when installing or removing battery cartridge. Failure to hold the tool and the battery cartridge firmly may cause them to slip off your hands and result in damage to the tool and battery cartridge and a personal injury.

► **Fig.1:** 1. Red indicator 2. Button 3. Battery cartridge

To remove the battery cartridge, slide it from the tool while sliding the button on the front of the cartridge.

To install the battery cartridge, align the tongue on the battery cartridge with the groove in the housing and slip it into place. Insert it all the way until it locks in place with a little click. If you can see the red indicator on the upper side of the button, it is not locked completely.

⚠ CAUTION: Always install the battery cartridge fully until the red indicator cannot be seen. If not, it may accidentally fall out of the tool, causing injury to you or someone around you.

⚠ CAUTION: Do not install the battery cartridge forcibly. If the cartridge does not slide in easily, it is not being inserted correctly.

Tool / battery protection system

The tool is equipped with a tool/battery protection system. This system automatically cuts off power to the motor to extend tool and battery life.

The tool will automatically stop during operation if the tool or battery are placed under one of the following conditions. In some conditions, the indication lamp lights up.

► **Fig.2:** 1. Indication lamp

Overload protection

When the tool is operated in a manner that causes it to draw an abnormally high current, the tool stops automatically and the indicator blinks for about 60 seconds. In this situation, turn the tool off and stop the application that caused the tool to become overloaded. Then turn the tool on to restart.

Overheat protection

When the tool/battery is overheated, the tool stops automatically and the battery indicator lights up for about 60 seconds. The tool does not start even if you turn the tool on. In this situation, let the battery cool before turning the tool on again.

Overdischarge protection

When the remaining battery capacity gets low, the indicator blinks. By further use, the tool stops and the indicator lights up for about 60 seconds. If you turn the tool on, the motor runs again but stops soon. In this situation, charge the battery cartridge.









NOTE: The timing, at which the lamp lights up, depends on the temperature at work place and the battery cartridge conditions.

Indicating the remaining battery capacity

Only for battery cartridges with the indicator

► **Fig.3:** 1. Indicator lamps 2. Check button

Press the check button on the battery cartridge to indicate the remaining battery capacity. The indicator lamps light up for a few seconds.

Indicator lamps		Remaining capacity
Lighted	Off	
		75% to 100%
		50% to 75%
		25% to 50%
		0% to 25%

NOTE: Depending on the conditions of use and the ambient temperature, the indication may differ slightly from the actual capacity.

Switch action

► **Fig.4:** 1. ON/speed change button 2. OFF button

To start the cleaner, simply push the ON/speed change button. To switch off, push the OFF button.

You can change the cleaner speed in three steps by pushing the ON/speed change button. The first push on this button is for high speed mode, the second push for max speed mode and the third push for normal speed mode. Each push on this button repeats the high/max/normal speed cycle alternatively.

ASSEMBLY

CAUTION: Always be sure that the tool is switched off and the battery cartridge is removed before carrying out any work on the tool.

Dust bag and paper filter

Install either dust bag or paper filter before using cleaner. Use the dust stopper when installing either dust bag or paper filter. Dust bag are usable many times repeatedly by cleaning it out. Paper filter is a throw-away type. Throw away the entire paper filter without emptying when it has become full.

NOTICE: To prevent dust from getting into the motor:

- Make sure that the dust bag or paper filter is installed before use.
- Insert the dust stopper together with the dust bag or paper filter all the way into the slots when installing them.
- Do not use a broken or ripped bag.

Otherwise the motor may be broken.

NOTICE: Do not fold the cardboard at its opening when installing the paper filter.

NOTICE: Never throw away the dust stopper because it needs to be used repeatedly whenever either the dust bag or the paper filter is used.

NOTICE: The paper filter for the cleaner is an important component for maintaining the tool performance. Using other than the genuine paper filter may cause smokes or ignition.

Installing dust bag

Use the dust stopper when installing dust bag. Be careful not to take the upper side for the lower side by mistake because they are different each other.

► **Fig.5:** 1. Upper side of the dust stopper 2. Lower side of the dust stopper

1. Insert the protrusion of the dust bag into the groove on the dust stopper as shown in the figure.

The dust bag does not have distinction between the upper and lower sides. You can insert its protrusion of either side into the groove of the dust stopper.

► **Fig.6:** 1. Dust stopper 2. Groove 3. Dust bag

2. Overlap the frame of dust stopper with that of the dust bag. ► **Fig.7**

3. Place the dust stopper and the dust bag together into the cleaner cavity in the same direction of arrow on the dust stopper. Insert them all the way into the slots in the cleaner cavity.

► **Fig.8:** 1. Slot

4. Place the entire cloth part of the dust bag inside the cleaner itself.

► **Fig.9**

5. Close the dust case cover completely.

► **Fig.10:** 1. Dust case cover

NOTE: When the dust bag is not installed in the cleaner, the dust case cover does not close completely.

Installing the paper filter

Use the dust stopper also when installing paper filter. Be careful not to take the upper side for the lower side by mistake because they are different each other.

► **Fig.11:** 1. Upper side of the dust stopper 2. Lower side of the dust stopper

1. Unfold the entrance of the paper filter before setting it on the dust stopper.

► **Fig.12**

2. Insert the protrusion of the paper filter into the groove on the dust stopper as shown in the figure.

The paper filter does not have distinction between the upper and lower sides. You can insert its protrusion of either side into the groove of the dust stopper.

► **Fig.13:** 1. Dust stopper 2. Groove 3. Paper filter

3. Overlap the frame of dust stopper with that of the paper filter.

► **Fig.14**

4. Place the dust stopper and the paper filter together into the cleaner cavity in the same direction of arrow on the dust stopper. Insert them all the way into the slots in the cleaner cavity.

► **Fig.15:** 1. Slot

5. Place the entire container part of the paper filter inside the tool itself.

► **Fig.16**

6. Close the dust case cover completely.

► **Fig.17:** 1. Dust case cover

NOTE: When the paper filter is not installed in the cleaner, the dust case cover does not close completely.

Installing the shoulder strap

CAUTION: Be careful not to get the shoulder strap caught by objects in your surroundings.

CAUTION: Be careful not to slip the shoulder strap off from your shoulder when using the cleaner. For stable handling of the cleaner, it is recommended to wear the shoulder strap crossed in front of your chest.

Attach the hooks of the shoulder strap onto the mounts of the cleaner as shown in the figure.

► **Fig.18:** 1. Shoulder strap 2. Hook 3. Mount

NOTE: You can also attach the shoulder strap to the soft bag (optional accessory) as illustrated.

► **Fig.19:** 1. Shoulder strap 2. Soft bag

OPERATION

CAUTION: Always hold the handle when carrying the cleaner. If you hold the attachment part to carry, it may come off from the cleaner and result in personal injury.

CAUTION: Do not grasp the hose joint as shown in the figure. Holding the hose joint may get your finger pinched.

► **Fig.20:** 1. Hose joint

Using as a vacuum cleaner

NOTE: Remove the blower attachment before vacuum cleaning. If the blower attachment is attached to the cleaner, the suction power will be reduced.

Installing or removing the cleaner attachment

To connect an attachment such as a nozzle, twist and insert it securely to the hose. To disconnect, twist and remove it.

The way of installation varies depending on the nozzles as illustrated.

► **Fig.21:** 1. Hose 2. Rubber nozzle 3. Soft brush
4. Seat nozzle 5. Mat nozzle

Vacuum cleaning

Rubber nozzle

This nozzle is convenient for cleaning bottom corners such as a door pocket. The rubber nozzle is gentle to the cleaning surface.

► **Fig.22:** 1. Rubber nozzle

Soft brush

This nozzle is convenient for cleaning the air conditioner vents, dashboard, etc. The head of the soft brush can be turned to right angle.

► **Fig.23:** 1. Soft brush

Seat nozzle

This nozzle has lint brush to clean the seat surface. The side brush on the nozzle is useful for raking dust out of the seams.

► **Fig.24:** 1. Seat nozzle 2. Side brush

Mat nozzle

This nozzle is used for cleaning the floor mat and carpet. The teeth on the nozzle help raking out sand grains.

► **Fig.25:** 1. Mat nozzle

NOTICE: Always use the mat nozzle for cleaning a mat. Using the mat nozzle for other materials may scratch its surface.

Cleaning without nozzle

You can perform vacuum cleaning without the nozzle.

► **Fig.26**

Disposing of dust

CAUTION: Empty the dust bag or replace the paper filter before it becomes full. If not, the suction/blowing force weakens.

CAUTION: When closing the dust case cover, be careful not to pinch your fingers.

NOTICE: Never throw away the dust stopper because it should be used whenever either the dust bag or the paper filter is used.

NOTICE: When the dust bag/paper filter is not inside of the cleaner, the dust case cover does not close completely. Do not force to close the dust case cover. It may result in deforming or breakage of the tool.

NOTICE: When disposing of dust, also clean the room for the dust bag/paper filter. The remaining dust and dirt in the room may cause the sponge filter to be clogged or the motor to be damaged.

1. Open the dust case cover.

► Fig.27: 1. Dust case cover

2. Pull out both the orange-colored dust stopper and dust bag/paper filter together at the same time.

► Fig.28: 1. Dust stopper

3. When using the dust bag

Remove the dust stopper and empty the dust bag.

► Fig.29: 1. Dust stopper 2. Dust bag

When using the paper filter

Remove the dust stopper and dispose of the paper filter.

► Fig.30: 1. Dust stopper 2. Paper filter

4. Place the dust bag/new paper filter and dust stopper together into the cleaner and close the dust case cover.

Using as a blower

CAUTION: Never point the nozzle at anyone in the vicinity.

CAUTION: To prevent inhaling dust, it is recommended to open the windows, and also wear protective goggles and mask while operating.

CAUTION: Do not pull the blower attachment. It may come off from the cleaner.

CAUTION: Do not use the cleaner for blowing air into objects, like rubber rafting, balls or other inflatable products. Increased motor revolution may cause dangerous fan breakage.

Installing or removing the blower attachment

To attach the blower attachment, align the protrusion of the blower attachment port with the groove on the vent, and then push it until clicks.

► Fig.31: 1. Blower attachment

To remove the blower attachment, pull the port downward while pressing its top as illustrated.

► Fig.32

Blowing

Point the tip of blower attachment to the object to blow off and then turn on the tool.

► Fig.33

MAINTENANCE

CAUTION: Always be sure that the tool is switched off and the battery cartridge is removed before attempting to perform inspection or maintenance.

NOTICE: Never use gasoline, benzine, thinner, alcohol or the like. Discoloration, deformation or cracks may result.

To maintain product SAFETY and RELIABILITY, repairs, any other maintenance or adjustment should be performed by Makita Authorized or Factory Service Centers, always using Makita replacement parts.

Cleaning

From time to time wipe off the outside (cleaner body) of the cleaner using a cloth dampened in soapy water. Clean out also the suction opening, dust bag/paper filter mounting area and the dust stopper.

► Fig.34

Wash the dust bag in soapy water when it is clogged with dust and the cleaner power becomes weak. Dry it out thoroughly before use. An insufficiently dried filter may cause poor suction and shorten the service life of the motor.

► Fig.35

NOTE: Paper filter is a throw-away type.

When the sponge filter is clogged with dust, remove it from the cleaner and then wipe it off or wash in water.

Removing and installing the sponge filter

CAUTION: After cleaning sponge filter, be sure to install it on the cleaner. If washed in water, dry it up before installing. An insufficiently dried sponge filter may shorten the service life of the motor.

To remove the sponge filter, remove the dust bag or paper filter and then pinch and take it out.

► Fig.36: 1. Sponge filter

Press in the whole edge of the sponge filter against the recessed wall inside the dust bag/paper filter mounting area.

► Fig.37: 1. Recessed wall

Storage

⚠ WARNING: Never leave the battery cartridge and charger in a car. The temperature inside a car sitting in the sun may exceed 50 °C (122 °F). It may cause the battery cartridge deteriorated and result in liquid ejection, smoke emission or a fire.

► Fig.38

⚠ WARNING: Never use the charger in a storage bag. Blocking the air vent may result in smoking emission or a fire.

► Fig.39

⚠ WARNING: Never charge the battery cartridge with on-vehicle inverter. It may cause abnormal heat and result in a fire.

⚠ WARNING: Never charge the battery cartridge in a car. If the battery cartridge is exposed to the temperature range out of 10°C (50 °F) - 40°C (104 °F), it may generate heat and/or fire or explode.

⚠ CAUTION: Always store the hose as illustrated to avoid tripping, when the cleaner is not used.

Unfolded hose may catch your foot and cause personal injury.

► Fig.40: 1. Hook 2. Hose

Troubleshooting

Before asking for repairs, check the following points.

Symptom	Area to be investigated	Fixing method
Weak suction power	Is dust bag or paper filter full of dust ?	Empty dust bag or paper filter.
	Is dust bag clogged ?	Dust down or wash the dust bag.
	Is paper filter clogged ?	Replace paper filter.
	Is the battery cartridge exhausted ?	Charge the battery cartridge.
Not working	Is the battery cartridge exhausted ?	Charge the battery cartridge.
Dust case cover does not close	Is dust bag or paper filter set ?	Set dust bag or paper filter.

NOTE: Do not attempt to repair cleaner by yourself.

OPTIONAL ACCESSORIES

⚠ CAUTION: These accessories or attachments are recommended for use with your Makita tool specified in this manual. The use of any other accessories or attachments might present a risk of injury to persons. Only use accessory or attachment for its stated purpose.

If you need any assistance for more details regarding these accessories, ask your local Makita Service Center.

- Extension wand (Straight pipe)
- Nozzle
- Nozzle for carpet
- Shelf brush
- Corner nozzle
- Round brush
- Flexible hose
- Paper filter
- Free nozzle
- Seat nozzle
- Crevice nozzle
- Cyclone attachment
- Dust bag
- High performance dust bag
- Soft bag
- Makita genuine battery and charger

NOTE: Some items in the list may be included in the tool package as standard accessories. They may differ from country to country.

OSTRZEŻENIE

Niniejsze urządzenie może być użytkowane przez dzieci w wieku powyżej 8 lat oraz przez osoby niebędące w pełni władz fizycznych, poznawczych i umysłowych lub nieposiadające doświadczenia ani wiedzy, o ile osoba odpowiedzialna za ich bezpieczeństwo zapewni odpowiedni nadzór i przekaze wskazówki dotyczące użytkowania urządzenia oraz zagrożeń z nimi związanych. Urządzenie nie jest przeznaczone do zabawy nim przez dzieci. Czyszczenie oraz konserwacja nie mogą być przeprowadzane przez dzieci bez nadzoru.

DANE TECHNICZNE

Model:		CL121D
Pojemność	z workiem na pył	500 ml
	z filtrem papierowym	330 ml
Użytkowanie ciągłe (z akumulatorem BL1016)	1 (tryb normalnej prędkości)	Ok. 25 min
	2 (tryb wysokiej prędkości)	Ok. 12 min
	3 (tryb maks. prędkości)	Ok. 10 min
Całkowita długość (z akumulatorem BL1016)		345 mm
Napięcie znamionowe		Napięcie stałe 10,8 – 12 V maks.
Masa netto		1,7–1,8 kg

- W związku ze stale prowadzonym przez naszą firmę programem badawczo-rozwojowym niniejsze dane mogą ulec zmianom bez wcześniejszego powiadomienia.
- Dane techniczne mogą różnić się w zależności od kraju.
- Waga nie uwzględnia akcesoriów (oprócz akumulatorów). Wagi najlżejszych i najcięższych kombinacji urządzenia z akumulatorami przedstawiono w tabeli.

Kompatybilne akumulatory i ładowarki

Akumulator	BL1015 / BL1016 / BL1020B / BL1021B / BL1040B / BL1041B
Ładowarka	DC10SA / DC10SB / DC10WC / DC10WD / DC18RE

- Pewne z wymienionych powyżej akumulatorów i ładowarek mogą być niedostępne w regionie zamieszkania użytkownika.

⚠ OSTRZEŻENIE: Należy używać wyłącznie akumulatorów i ładowarek wymienionych powyżej. Używanie innych akumulatorów i ładowarek może stwarzać ryzyko wystąpienia obrażeń ciała lub pożaru.

Symbole

Poniżej pokazano symbole zastosowane na urządzeniu. Przed rozpoczęciem użytkowania należy zapoznać się z ich znaczeniem.



Przeczytać instrukcję obsługi.



Dotyczy tylko państw UE
Nie wyrzucać urządzeń elektrycznych ani akumulatorów wraz z odpadami z gospodarstwa domowego! Zgodnie z dyrektywami europejskimi w sprawie zużytego sprzętu elektrycznego i elektronicznego oraz baterii i akumulatorów oraz zużytych baterii i akumulatorów, a także dostosowaniu ich do prawa krajowego, zużyte urządzenia elektryczne, baterie i akumulatory należy składować osobno i przekazywać do zakładu recyklingu działającego zgodnie z przepisami dotyczącymi ochrony środowiska.

Przeznaczenie

To narzędzie jest przeznaczone do odsysania suchego pyłu.

OSTRZEŻENIA DOTYCZĄCE BEZPIECZEŃSTWA

Ostrzeżenia dotyczące bezpieczeństwa dla odkurzacza akumulatorowego

⚠ OSTRZEŻENIE: WAŻNE! UWAŻNIE
PRZECZYTAĆ wszystkie zasady bezpieczeństwa i zalecenia PRZED UŻYCIEM. Niezastosowanie się do wspomnianych ostrzeżeń i instrukcji może doprowadzić do porażenia prądem elektrycznym, pożaru i/lub poważnych obrażeń ciała.

1. Należy chronić przed deszczem. Przechowywać w pomieszczeniu.
2. Nie pozwalać dzieciom bawić się urządzeniem. Należy zachować szczególną ostrożność, kiedy odkurzacz jest używany w pobliżu lub przez dzieci.
3. Używać tylko zgodnie z niniejszą instrukcją. Należy używać tylko akcesoriów zalecanych przez producenta.
4. Nie używać urządzenia z uszkodzonym akumulatorem. Jeśli urządzenie nie działa prawidłowo, zostało upuszczone, uszkodzone, pozostawione na zewnątrz lub wpadło do wody, należy je oddać do punktu serwisowego.
5. Nie wolno obsługiwać urządzenia mokrymi dłońmi.
6. Nie wkładać żadnych przedmiotów w otwory urządzenia. Nie używać urządzenia z zablokowanymi otworami; usuwać pył, kłaczki, włosy i wszystko, co może ograniczyć przepływ powietrza.
7. Nie zbliżać włosów, luźnej odzieży, palców ani innych części ciała do otworów i ruchomych części.
8. Przed wyjęciem akumulatora należy wyłączyć wszystkie elementy sterowania.
9. Zachować szczególną ostrożność podczas sprzątania na schodach.
10. Nie używać do zbierania palnych lub łatwopalnych cieczy, takich jak benzyna, ani nie używać w miejscach, gdzie mogą występować.
11. Akumulator należy ładować wyłącznie przy użyciu ładowarki dostarczonej przez producenta.
12. Nie zbierać niczego, co się pali lub dymi, na przykład papierosów, zapalek lub gorącego popiołu.
13. Nie używać bez założonych filtrów i/lub worka na pył.

14. Nie ładować akumulatora na zewnątrz.
15. Akumulator należy ładować wyłącznie przy użyciu określonej przez producenta ładowarki. Ładowarka przeznaczona do jednego typu akumulatora może stwarzać zagrożenie pożarem, gdy będzie używana do ładowania innego akumulatora.
16. Do zasilania elektronarzędzi używać tylko specjalnie do tego celu przeznaczonych akumulatorów. Używanie innych akumulatorów może stwarzać ryzyko wystąpienia obrażeń ciała lub pożaru.
17. Gdy akumulator nie jest używany, należy zabezpieczyć go przed kontaktem z metalowymi przedmiotami, takimi jak spinacze, monety, klucze, gwoździe, wkręty lub inne metalowe drobniaki, które mogą powodować zwarcie styków akumulatora.
18. W niewłaściwych warunkach eksploatacji może dojść do wycieku elektrolitu z akumulatora. Nie należy go dotykać. W razie przypadkowego kontaktu należy przemyć skażoną skórę wodą.
19. Nie używać uszkodzonego lub przerobionego akumulatora ani narzędzia. Uszkodzone lub przerobione akumulatory mogą działać w nieprzewidywalny sposób i spowodować pożar, wybuch lub obrażenia ciała.
20. Nie wystawiać akumulatora ani narzędzia na działanie ognia ani nadmiernej temperatury. Narażenie na ogień lub temperaturę wyższą niż 130°C może spowodować wybuch.
21. Przestrzegać wszystkich instrukcji ładowania i nie ładować akumulatora ani narzędzia w temperaturze wykraczającej poza zakres określony w instrukcji. Nieprawidłowe ładowanie lub temperatury wykraczająca poza określony zakres mogą spowodować uszkodzenie akumulatora oraz wzrost zagrożenia pożarem.

ZACHOWAĆ NINIEJSZĄ INSTRUKCJĘ.

DODATKOWE ZALECENIA DOTYCZĄCE BEZPIECZEŃSTWA

Urządzenie jest przeznaczone do zastosowań domowych.

1. Przed rozpoczęciem pracy przeczytaj dokładnie niniejszy podręcznik obsługi oraz podręcznik obsługi ładowarki.
2. Nie wciągać do urządzenia następujących materiałów:
 - substancji gorących, takich jak zapalony papieros czy iskry/opilki powstające w wyniku szlifowania/cięcia metalu
 - substancji łatwopalnych, takich jak paliwo, rozpuszczalniki, benzyna, nafta lub farby
 - materiałów wybuchowych, jak nitrogliceryna
 - substancji zapalnych, takich jak aluminium, cynk, magnez, tytan, fosfor czy celulozoid

- błota, wody, oleju itp.
- elementów twardych o ostrych brzegach, takich jak wióry, metale, kamienie, szkło, gwoździe, kołki czy żyłki
- drobnych pyłów, takich jak cement czy toner drukarki
- substancji przewodzących, takich jak opiłki żelaza czy pył węglowy
- drobnych cząstek, takich jak pył betonowy

Takie działania mogą spowodować pożar, obrażenia ciała i/lub straty materialne.

3. Natychmiast przerwać pracę po zauważeniu jakiegokolwiek nieprawidłowości.
4. Kiedy odkurzacz zostanie upuszczony lub uderzony, a przed uruchomieniem należy sprawdzić, czy nie jest uszkodzony, pęknięty itd.
5. Nie należy go zbliżać do pieców ani innych źródeł ciepła.
6. Nie wolno zakrywać otworu wlotowego ani otworów wentylacyjnych.

ZACHOWAĆ NINIEJSZĄ INSTRUKCJĘ.

Ważne zasady bezpieczeństwa dotyczące akumulatora

1. Przed użyciem akumulatora zapoznać się ze wszystkimi instrukcjami i znakami ostrzegawczymi na (1) ładowarce, (2) akumulatorze i (3) produkcie, w którym będzie używany akumulator.
2. Akumulatora nie wolno rozbierać.
3. Jeśli czas działania uległ znacznemu skróceniu, należy natychmiast przerwać pracę. Może bowiem dojść do przegrzania, ewentualnych poparzeń, a nawet eksplozji.
4. W przypadku przedostania się elektrolitu do oczu, przemyć je czystą wodą i niezwłocznie uzyskać pomoc lekarską. Może on bowiem spowodować utratę wzroku.
5. Nie doprowadzać do zwarcia akumulatora:
 - (1) Nie dotykać styków materiałami przewodzącymi prąd.
 - (2) Unikać przechowywania akumulatora w pojemniku z metalowymi przedmiotami, takimi jak gwoździe, monety itp.
 - (3) Chronić akumulator przed deszczem lub wodą.

Zwarcie prowadzi do przepływu prądu elektrycznego o dużym natężeniu i przegrzania akumulatora, co w konsekwencji może grozić poparzeniami a nawet awarią urządzenia.

6. Narzędzia i akumulatora nie wolno przechowywać w miejscach, w których temperatura osiąga bądź przekracza 50°C (122°F).
7. Akumulatorów nie wolno spalać, również tych poważnie uszkodzonych lub całkowicie zużytych. Akumulator może eksplodować w ogniu.
8. Chronić akumulator przed upadkiem i uderzeniami.

9. Nie wolno używać uszkodzonego akumulatora.
10. Stanowiące wyposażenie akumulatory litowo-jonowe podlegają przepisom dotyczącym produktów niebezpiecznych. Na potrzeby transportu komercyjnego, np. świadczony przez firmy trzecie czy spedycyjne, należy przestrzegać specjalnych wymagań w zakresie pakowania i oznaczania etykietami. Przygotowanie produktu do wysyłki wymaga skonsultowania się ze specjalistą ds. materiałów niebezpiecznych. Należy także przestrzegać przepisów krajowych, które mogą być bardziej szczegółowe. Zakleić taśmą lub zaślepić otwarte styki akumulatora oraz zabezpieczyć go, aby nie mógł się przesuwać w opakowaniu.
11. Postępować zgodnie z przepisami lokalnymi dotyczącymi usuwania akumulatorów.
12. Używać akumulatorów tylko z produktami określonymi przez firmę Makita. Zastosowanie akumulatorów w niezgodnych produktach może spowodować pożar, przegrzanie, wybuch lub wyciek elektrolitu.

ZACHOWAĆ NINIEJSZE INSTRUKCJE.

⚠ PRZESTROGA: Używać wyłącznie oryginalnych akumulatorów firmy Makita. Używanie nieoryginalnych akumulatorów firm innych niż Makita lub akumulatorów, które zostały zmodyfikowane, może spowodować wybuch akumulatora i pożar, obrażenia ciała oraz zniszczenie mienia. Stanowi to również naruszenie warunków gwarancji firmy Makita dotyczących narzędzia i ładowarki.

Wskazówki dotyczące zachowania maksymalnej trwałości akumulatora

1. Akumulator należy naładować zanim zostanie do końca rozładowany. Po zauważeniu spadku mocy narzędzia należy przerwać pracę i naładować akumulator.
2. Nie wolno ładować powtórnie w pełni naładowanego akumulatora. Przeladowanie akumulatora skraca jego trwałość.
3. Akumulator należy ładować w temperaturze pokojowej w przedziale 10–40°C (50–104°F). W przypadku gorącego akumulatora przed przystąpieniem do ładowania należy poczekać, aż ostygnie.

OPIS DZIAŁANIA

⚠ PRZESTROGA: Przed przystąpieniem do regulacji lub przeglądu narzędzia upewnić się, że jest ono wyłączone, a akumulator został wyjęty.

⚠ PRZESTROGA: Należy uważać, aby podczas zakładania akumulatora palce nie uwiły pomiędzy korpusem odkurzacza a akumulatorem. Grozi to zranieniem.

Wkładanie i wyjmowanie akumulatora

⚠ PRZESTROGA: Przed włożeniem lub wyjęciem akumulatora należy zawsze wyłączyć narzędzie.

⚠ PRZESTROGA: Podczas wkładania lub wyjmowania akumulatora należy mocno trzymać narzędzie i akumulator. W przeciwnym razie mogą się one wyslizgnąć z rąk, powodując uszkodzenie narzędzia lub akumulatora i obrażenia ciała.

► **Rys.1:** 1. Czerwony wskaźnik 2. Przycisk 3. Akumulator

Aby wyjąć akumulator, przesuń przycisk znajdujący się w przedniej jego części i wsuń go na swoje miejsce.

Aby włożyć akumulator, wyrównaj występ na akumulatorze z rowkiem w budowie i wsuń go na swoje miejsce. Akumulator należy wsunąć do oporu, aż się zatrzaśnie na miejscu, co jest sygnalizowane delikatnym kliknięciem.

Jeśli w górnej części przycisku jest widoczny czerwony wskaźnik, akumulator nie został całkowicie zatrzaśnięty.

⚠ PRZESTROGA: Akumulator należy włożyć do końca, tak aby czerwony wskaźnik nie był widoczny. W przeciwnym razie może przypadkowo wypaść z narzędzia, powodując obrażenia operatora lub osób postronnych.

⚠ PRZESTROGA: Nie wkładać akumulatora na siłę. Jeśli akumulator nie daje się swobodnie wsunąć, oznacza to, że został włożony nieprawidłowo.

System ochrony narzędzia/akumulatora

Narzędzie jest wyposażone w system ochrony narzędzia/akumulatora. System ten automatycznie odcina dopływ prądu do silnika w celu wydłużenia żywotności narzędzia i akumulatora.

Praca narzędzia zostanie automatycznie zatrzymana w następujących sytuacjach związanych z narzędziem lub akumulatorem. W niektórych z tych sytuacji zaświeci się lampka kontrolna.

► **Rys.2:** 1. Lampka kontrolna

Zabezpieczenie przed przeciążeniem

W przypadku obsługi narzędzia w sposób powodujący nadmiernie wysoki pobór prądu narzędzie zostanie automatycznie zatrzymane i kontrolka będzie migać przez około 60 sekund. W takiej sytuacji należy wyłączyć narzędzie i zaprzestąć wykonywania czynności powodującej jego przeciążenie. Następnie należy włączyć narzędzie w celu ponownego uruchomienia.

Zabezpieczenie przed przegrzaniem

W przypadku przegrzania narzędzia/akumulatora narzędzie zostanie automatycznie zatrzymane, a wskaźnik akumulatora zaświeci się na około 60 sekund. Narzędzie nie zostanie ponownie uruchomione nawet po jego włączeniu. W takiej sytuacji przed ponownym uruchomieniem narzędzia należy odczekać, aż akumulator ostygnie.

Zabezpieczenie przed nadmiernym wyładowaniem

W przypadku obniżenia stanu naładowania akumulatora wskaźnik zacznie migać. Jeśli narzędzie jest nadal używane, zostanie ono zatrzymane, a wskaźnik zaświeci się na około 60 sekund. Jeśli narzędzie zostanie włączone, silnik uruchomi się ponownie, ale po chwili zostanie zatrzymany. W takiej sytuacji należy naładować akumulator.

WSKAZÓWKA: To, w jakim momencie zaświeci się lampka, zależy od temperatury w miejscu pracy oraz od stanu akumulatora.

Wskazanie stanu naładowania akumulatora

Tylko w przypadku akumulatorów ze wskaźnikiem

► **Rys.3:** 1. Lampki wskaźnika 2. Przycisk kontrolny
Nacisnąć przycisk kontrolny na akumulatorze w celu wyświetlenia stanu naładowania akumulatora. Lampki wskaźnika zaświecą się przez kilka sekund.

Lampki wskaźnika		Poziom naładowania akumulatora
		75–100%
		50–75%
		25–50%
		0–25%

WSKAZÓWKA: Zależnie od warunków użytkowania i temperatury otoczenia, wskazywany poziom może nieznacznie się różnić od rzeczywistego stanu naładowania akumulatora.

Działanie przełącznika

► **Rys.4:** 1. Przycisk WŁ./zmiany prędkości
2. Przycisk WYŁ.

Aby uruchomić odkurzacz, wystarczy nacisnąć przycisk WŁ./zmiany prędkości. Aby go wyłączyć, należy nacisnąć przycisk WYŁ.

Prędkość odkurzacza można ustawić na trzech poziomach za pomocą przycisku WŁ./zmiany prędkości. Pierwsze naciśnięcie tego przycisku wybiera tryb wysokiej prędkości, drugie naciśnięcie wybiera tryb maks. prędkości, a trzecie naciśnięcie przywraca normalną prędkość. Każde naciśnięcie tego przycisku powtórza kolejność włączania wysokiej/maks./normalnej prędkości.

MONTAŻ

⚠ PRZESTROGA: Przed przystąpieniem do prac konserwacyjnych przy narzędziu upewnić się, że jest ono wyłączone, a akumulator został wyjęty.

Worek na pył i filtr papierowy

Przed rozpoczęciem użytkowania odkurzacza należy założyć worek na pył lub filtr papierowy. Bariery pyłu należy używać zarówno z workiem na pył, jak i z filtrem papierowym. Worek na pył można używać wielokrotnie po jego wyczyszczeniu. Filtr papierowy jest jednorazowego użytku. Kiedy filtr się papierowy się zapełni, należy go wyrzucić bez opróżniania.

UWAGA: Aby zapobiec przedostaniu się pyłu do silnika:

- Przed przystąpieniem do użytkowania upewnić się, że worek na pył lub filtr papierowy są założone.
- Włożyć barierę pyłu razem z workiem na pył lub filtrem papierowym do oporu w szczeliny.
- Nie używać podartego lub przetartego worka.

Może to doprowadzić do uszkodzenia silnika.

UWAGA: Wkładając filtr papierowy, nie zginać kartonowej części przy jego wlocie.

UWAGA: Bariery pyłu nie wolno wyrzucać, gdyż należy ją stosować zawsze i wielokrotnie, zarówno z workiem na pył, jak i filtrem papierowym.

UWAGA: Filtr papierowy odkurzacza to istotny element zachowania wydajności narzędzia. Użycie filtru papierowego innego niż oryginalny może spowodować dymienie lub zapłon.

Zakładanie worka na pył

Wkładając worek na pył, należy założyć także barierę pyłu. Należy uważać, aby nie pomylić górnej strony bariery pyłu z dolną, gdyż nie są one równe.

► **Rys.5:** 1. Górna strona bariery pyłu 2. Dolna strona bariery pyłu

1. Włożyć występ worka na pył do rowka na barierze pyłu, jak pokazano na rysunku.

W przypadku worka na pył nie ma podziału na stronę górną i dolną. Do rowka bariery pyłu można włożyć występ znajdujący się z dowolnej jego strony.

► **Rys.6:** 1. Bariera pyłu 2. Rowek 3. Worek na pył

2. Ustawić ramki bariery pyłu i worka na pył, tak aby zachodziły na siebie.

► **Rys.7**

3. Włożyć barierę pyłu i worek na pył we wnękę odkurzacza zgodnie z kierunkiem strzałki na barierze pyłu. Włożyć je całkowicie w szczeliny wnęki odkurzacza.

► **Rys.8:** 1. Szczelina

4. Umieścić w odkurzaczu całą tekstylną część worka na pył.

► **Rys.9**

5. Całkowicie zamknąć pokrywę pojemnika na pył.

► **Rys.10:** 1. Pokrywa pojemnika na pył

WSKAZÓWKA: Kiedy w odkurzaczu nie ma założonego worka na pył, nie jest możliwe całkowite zamknięcie pokrywy pojemnika na pył.

Wkładanie filtra papierowego

Wkładając filtr papierowy, należy założyć także barierę pyłu. Należy uważać, aby nie pomylić górnej strony bariery pyłu z dolną, gdyż nie są one równe.

► **Rys.11:** 1. Górna strona bariery pyłu 2. Dolna strona bariery pyłu

1. Przedłożeniem filtra papierowego należy rozłożyć filtr u jego wlotu.

► **Rys.12**

2. Włożyć występ filtra papierowego w rowek na barierze pyłu, jak pokazano na rysunku.

W przypadku filtra papierowego nie ma podziału na stronę górną i dolną. Do rowka bariery pyłu można włożyć występ znajdujący się z dowolnej jego strony.

► **Rys.13:** 1. Bariera pyłu 2. Rowek 3. Filtr papierowy

3. Ustawić ramki bariery pyłu i filtra papierowego, tak aby zachodziły na siebie.

► **Rys.14**

4. Włożyć barierę pyłu i worek na pył we wnękę odkurzacza zgodnie z kierunkiem strzałki na barierze pyłu. Włożyć je całkowicie w szczeliny wnęki odkurzacza.

► **Rys.15:** 1. Szczelina

5. Włożyć do wnęki całą papierową część filtra.

► **Rys.16**

6. Całkowicie zamknąć pokrywę pojemnika na pył.

► **Rys.17:** 1. Pokrywa pojemnika na pył

WSKAZÓWKA: Kiedy w odkurzaczu nie ma założonego filtra papierowego, nie jest możliwe całkowite zamknięcie pokrywy pojemnika na pył.

Zakładanie paska na ramię

⚠ PRZESTROGA: Należy uważać, aby pasek na ramię nie zaplątał się o znajdujące się w pobliżu przedmioty.

⚠ PRZESTROGA: Podczas korzystania z odkurzacza należy uważać, aby pasek nie ześlizgnął się z ramienia. Aby zapewnić stabilną obsługę odkurzacza, zaleca się zakładanie paska na ramię w poprzek klatki piersiowej.

Zaczepty paska na ramię należy zamocować do uchwytów montażowych odkurzacza w sposób przedstawiony na rysunku.

► **Rys.18:** 1. Pasek na ramię 2. Zaczep 3. Uchwyt montażowy

WSKAZÓWKA: Pasek na ramię można również przymocować do torby (wyposażenie opcjonalne), jak pokazano na rysunku.

► **Rys.19:** 1. Pasek na ramię 2. Torba

OBSŁUGA

⚠ PRZESTROGA: Podczas noszenia odkurzacza należy zawsze trzymać za uchwyt. Trzymanie za przystawkę grozi jej oderwaniem się od odkurzacza, co może spowodować obrażenia ciała.

⚠ PRZESTROGA: Nie chwycić za łącznik węża, jak pokazano na rysunku. Trzymanie za łącznik węża może spowodować przytrażenie palców.

► Rys.20: 1. Łącznik węża

Używanie produktu jako odkurzacza

WSKAZÓWKA: Przed przystąpieniem do czynności odkurzania należy zdjąć przystawkę dmuchawy. Gdy do odkurzacza przyłączona jest przystawka dmuchawy, siła ssania będzie mniejsza.

Zakładanie i zdejmowanie przystawki odkurzacza

Aby przyłączyć przystawkę taką jak końcówka, należy ją przekręcić i przymocować do węża. Aby odłączyć przystawkę, należy ją przekręcić i wysunąć.

Jak pokazano na rysunku, sposób montażu różni się w zależności od końcówki.

► Rys.21: 1. Wąż 2. Końcówka gumowa 3. Miękką szczotką 4. Końcówka do siedzeń 5. Końcówka do dywaników

Odkurzanie

Końcówka gumowa

Ta końcówka jest odpowiednia do odkurzania zagłębień, takich jak kieszenie w drzwiach. Końcówka gumowa jest delikatna dla odkurzanych powierzchni.

► Rys.22: 1. Końcówka gumowa

Miękką szczotką

Ta końcówka jest odpowiednia do odkurzania otworów klimatyzacji, elementów deski rozdzielczej itp. Głowicą szczotki można obracać, aby uzyskać odpowiedni kąt.

► Rys.23: 1. Miękką szczotką

Końcówka do siedzeń

Ta końcówka posiada szczotkę zbierającą ułatwiającą czyszczenie powierzchni siedzeń. Znajdująca się na końcówce szczoteczka boczna jest przydatna do zbierania kurzu ze szwów.

► Rys.24: 1. Końcówka do siedzeń 2. Szczoteczka boczna

Końcówka do dywaników

Ta końcówka służy do odkurzania dywaników i wykładzin samochodowych. Ząbki na końcówce ułatwiają zbieranie ziarenek piasku.

► Rys.25: 1. Końcówka do dywaników

UWAGA: Końcówki do dywaników należy używać wyłącznie do czyszczenia dywaników. Użycie końcówki do dywaników na innych materiałach może spowodować zarysowanie powierzchni.

Odkurzanie bez końcówki

Możliwe jest również odkurzanie bez końcówki.

► Rys.26

Usuwanie kurzu

⚠ PRZESTROGA: Należy opróżniać worek na pył lub wymieniać filtr papierowy, zanim się zapełnią. W przeciwnym razie zmniejszy się siła ssania/dmuchania.

⚠ PRZESTROGA: Zamykając pokrywę pojemnika na pył, należy uważać, aby nie przytrażasnąć palców.

UWAGA: Bariery pyłu nie należy wyrzucać, gdyż powinna być ona używana za każdym razem, zarówno z workiem na pył, jak i z filtrem papierowym.

UWAGA: Kiedy w odkurzaczu nie ma worka na pył ani filtra papierowego, nie jest możliwe zamknięcie pokrywy pojemnika na pył. Nie należy zamykać pokrywy pojemnika na pył siłą. Może to skutkować odkształceniem lub uszkodzeniem narzędzia.

UWAGA: Usuwając kurz, należy wyczyścić także miejsce montażu worka na pył/filtra papierowego. Zalegające w tym miejscu pył i brud mogą spowodować zapchanie filtra z gąbki lub uszkodzenie silnika.

1. Otworzyć pokrywę pojemnika na pył.

► Rys.27: 1. Pokrywa pojemnika na pył

2. Pociągnąć jednocześnie pomarańczową barierę pyłu oraz worek na pył/filtr papierowy, aby je wyjąć.

► Rys.28: 1. Bariera pyłu

3. Gdy używany jest worek na pył

Zdjąć barierę pyłu i opróżnić worek na pył.

► Rys.29: 1. Bariera pyłu 2. Worek na pył

Gdy używany jest filtr papierowy

Zdjąć barierę pyłu i wyrzucić filtr papierowy.

► Rys.30: 1. Bariera pyłu 2. Filtr papierowy

4. Włożyć do odkurzacza worek na pył/nowy filtr papierowy wraz z barierą pyłu i zamknąć pokrywę pojemnika na pył.

Używanie produktu jako dmuchawy

⚠ PRZESTROGA: Nigdy nie kierować końcówki w stronę znajdujących się w pobliżu osób.

⚠ PRZESTROGA: Aby uniknąć wdychania kurzu, zaleca się otwarcie okien oraz noszenie okularów ochronnych i maseczki podczas pracy.

⚠ PRZESTROGA: Nie ciągnąć za przystawkę dmuchawy. Może oderwać się od odkurzacza.

⚠ PRZESTROGA: Odkurzacza nie należy używać do napełniania powietrzem przedmiotów takich jak pontony, piłki gumowe lub inne nadmuchiwane produkty. Zwiększone obroty silnika mogą spowodować niebezpieczne uszkodzenia wentylatora.

Zakładanie i zdejmowanie przystawki dmuchawy

Aby przyłączyć przystawkę dmuchawy, należy wyrównać występ na złączu przystawki dmuchawy z rowkiem przy otworze wentylacyjnym i docisnąć, aż występ wskoczy na miejsce.

► **Rys.31:** 1. Przystawka dmuchawy

Aby zdjąć przystawkę dmuchawy, należy pociągnąć złącze w dół, jednocześnie naciskając je od góry, jak pokazano na rysunku.

► **Rys.32**

Dmucanie

Skierować końcówkę przystawki dmuchawy w stronę obiektu, z którego chcemy wydymać pył, i włączyć narzędzie.

► **Rys.33**

KONSERWACJA

PRZESTROGA: Przed przystąpieniem do przeglądu narzędzia lub jego konserwacji upewnić się, że jest ono wyłączone, a akumulator wyjęty.

UWAGA: Nie stosować benzyny, rozpuszczalników, alkoholu itp. środków. Mogą one powodować odbarwienia, odkształcenia lub pęknięcia.

W celu zachowania odpowiedniego poziomu BEZPIECZEŃSTWA i NIEZAWODNOŚCI produktu wszelkie naprawy i różnego rodzaju prace konserwacyjne lub regulacje powinny być przeprowadzane przez autoryzowany lub fabryczny punkt serwisowy narzędzi Makita, zawsze z użyciem oryginalnych części zamiennych Makita.

Czyszczenie

Od czasu do czasu trzeba przetrzeć korpus odkurzacza ściereczką zwilżoną wodą z mydłem.

Należy też czyścić wlot odkurzacza, okolice worka na pył / filtra papierowego oraz bariery pyłu.

► **Rys.34**

Kiedy worek na pył zatka się kurzem, a moc odkurzacza spadnie, należy wyprać worek w wodzie z mydłem.

Przed ponownym użyciem należy go dokładnie wysuszyć. Niedokładnie wysuszony filtr może być przyczyną osłabienia ssania i skrócenia okresu eksploatacji silnika.

► **Rys.35**

WSKAZÓWKA: Filtr papierowy jest jednorazowego użytku.

Kiedy filtr z gąbki zatka się kurzem, należy go wyjąć z odkurzacza i oczyścić albo wymyć w wodzie.

Wymywanie i wkładanie filtra z gąbki

PRZESTROGA: Po oczyszczeniu filtra z gąbki należy pamiętać o ponownym włożeniu go do odkurzacza. Jeśli był myty w wodzie, należy go przed włożeniem wysuszyć. Niedokładnie wysuszony filtr może skrócić okres eksploatacji silnika.

Aby wyjąć filtr z gąbki, należy najpierw wyjąć worek na pył lub filtr papierowy, a następnie ścisnąć filtr z gąbki i wyciągnąć.

► **Rys.36:** 1. Filtr z gąbki

Docisnąć filtr na całym obwodzie do ścianki wnęki wewnątrz miejsca na worek lub filtr.

► **Rys.37:** 1. Ścianka wnęki

Przechowywanie

OSTRZEŻENIE: Nigdy nie zostawiać akumulatora ani ładowarki w samochodzie. Temperatura wewnątrz samochodu pozostawionego na słońcu może przekraczać 50°C (122°F). Może to być przyczyną spadku wydajności akumulatora oraz prowadzić do wycieku płynu, pojawienia się dymu lub pożaru.

► **Rys.38**

OSTRZEŻENIE: Nigdy nie używać ładowarki umieszczonej w torbie do przechowywania.

Zablokowanie otworu wentylacyjnego może prowadzić do pojawienia się dymu lub pożaru.

► **Rys.39**

OSTRZEŻENIE: Nigdy nie ładować akumulatora za pomocą przetwornicy samochodowej. Może to spowodować nadmierne nagrzanie i doprowadzić do pożaru.

OSTRZEŻENIE: Nigdy nie ładować akumulatora w samochodzie. Wystawienie akumulatora na działanie temperatur spoza zakresu 10–40°C (50–104°F) może spowodować jego przegrzanie i/lub zapalenie się albo wybuch.

PRZESTROGA: Gdy odkurzacz nie jest używany, wąż należy zawsze przechowywać w sposób pokazany na rysunku, aby uniknąć potknięcia.

Rozłożony wąż może zaplątać się o stopy i spowodować obrażenia ciała.

► **Rys.40:** 1. Zaczepek 2. Wąż

Rozwiązywanie problemów

Przed oddaniem produktu do naprawy należy sprawdzić następujące punkty.

Objaw	Obszar wymagający kontroli	Metoda naprawy
Słaba siła ssania	Czy worek na pył lub filtr papierowy są pełne?	Opróżnić worek na pył lub filtr papierowy.
	Czy worek na pył jest zapchany?	Wytrześć lub umyć worek na pył.
	Czy filtr papierowy jest zapchany?	Wymienić filtr papierowy.
	Czy akumulator nie jest wyczerpany?	Naładować akumulator.
Nie działa	Czy akumulator nie jest wyczerpany?	Naładować akumulator.
Pokrywa pojemnika na pył nie zamyka się	Czy założono worek na pył lub filtr papierowy?	Założyć worek na pył lub filtr papierowy.

WSKAZÓWKA: Nie wolno próbować samodzielnie naprawiać odkurzacza.

AKCESORIA OPCJONALNE

⚠ PRZESTROGA: Zaleca się stosowanie wymienionych akcesoriów i przystawek razem z narzędziem Makita opisanym w niniejszej instrukcji. Stosowanie innych akcesoriów lub przystawek może być przyczyną obrażeń ciała. Akcesoria lub przystawki należy wykorzystywać tylko zgodnie z ich przeznaczeniem.

W razie potrzeby wszelkiej pomocy i szczegółowych informacji na temat niniejszych akcesoriów udziela Państwu lokalne punkty serwisowe Makita.

- Rura przedłużająca (prosta)
- Końcówka
- Końcówka do dywanów
- Szczotka do pótek
- Końcówka szczelinowa
- Szczotka okrągła
- Wąż elastyczny
- Filtr papierowy
- Swobodna końcówka
- Końcówka do siedzeń
- Końcówka szczelinowa
- Przystawka cyklonowa
- Worek na pył
- Wysokowydajny worek na pył
- Torba
- Oryginalny akumulator i ładowarka firmy Makita

WSKAZÓWKA: Niektóre pozycje znajdujące się na liście mogą być dołączone do pakietu narzędziowego jako akcesoria standardowe. Mogą to być różne pozycje, w zależności od kraju.

FIGYELMEZTETÉS

A készüléket nem használhatják 8 évnél fiatalabb gyermekek, valamint csökkent fizikai, érzékelési vagy értelmi képességű személyek, illetve olyanok, akiknek nincs meg a tapasztalatuk és tudásuk ehhez, kivéve, ha valaki a biztonságos használatra megtanítja őket, ismer-teti velük a lehetséges veszélyeket, és a használat közben felügyeli őket. Gyermekek ne játsszanak a készülékkel. A készülék tisztítását és karbantartását felügyelet nélküli gyermekek ne végezzék.

RÉSZLETES LEÍRÁS

Típus:		CL121D
Kapacitás	porzsákkal	500 ml
	papírszűrővel	330 ml
Folyamatos használat (BL1016 akkumulátorral)	1 (normál fordulatszámú mód)	Kb. 25 min
	2 (magas fordulatszámú mód)	Kb. 12 min
	3 (maximális fordulatszámú mód)	Kb. 10 min
Teljes hossz (akkumulátorral BL1016)		345 mm
Névleges feszültség		10,8 V - 12 V max., egyenáram
Nettó tömeg		1,7 - 1,8 kg

- Folyamatos kutató- és fejlesztőprogramunk eredményeként az itt felsorolt tulajdonságok figyelmeztetés nélkül megváltozhatnak.
- A tulajdonságok országról országra különbözhetnek.
- A súly a tartozékok nélkül, de az akkumulátorral/akkumulátorokkal együtt értendő. A berendezés és az akku-mulátor(ok) súlyának kombinációi a táblázatban láthatók.

Alkalmazható akkumulátorok és töltők

Akkumulátor	BL1015 / BL1016 / BL1020B / BL1021B / BL1040B / BL1041B
Töltő	DC10SA / DC10SB / DC10WC / DC10WD / DC18RE

- Lakóhelyétől függően előfordulhat, hogy a fent felsorolt akkumulátorok és töltők nem érhetőek el.

▲ FIGYELMEZTETÉS: Csak a fentiekben felsorolt akkumulátorokat és töltőket használja. Bármilyen más akkumulátor vagy töltő használata sérüléseket és/vagy tüzet okozhat.

Szimbólumok

A következőkben a berendezésen használt jelképek láthatók. A szerszám használata előtt bizonyosodjon meg arról hogy helyesen értelmezi a jelentésüket.



Olvassa el a használati utasítást.



Csak az Európai Unió tagállamai számára
Az elektromos berendezéseket és az akku-mulátorokat ne dobja a háztartási szemétkébe!
Az Európai Unió használt elektromos és elektronikus berendezésekre vonatkozó irányelvei, illetve az elemekről és akkumulátorokról, valamint a hulladékelemekről és akkumulátorokról szóló irányelv, továbbá azoknak a nemzeti jogba való átültetése szerint az elhasznált elektromos berendezéseket, elemeket és akkumulátorokat külön kell gyűjteni, és környezetbarát módon kell gondoskodni újrahasznosításukról.

Rendeltetés

A készülék száraz por összegyűjtésére szolgál.

BIZTONSÁGI FIGYELMEZTETÉS

A vezeték nélküli porszívóra vonatkozó biztonsági figyelmeztetések

▲ FIGYELMEZTETÉS: FONTOS: HASZNÁLAT ELŐTT MINDENKÉPP OLVASSA EL az összes biztonsági figyelmeztetést és utasítást. Ha nem tartja be a figyelmeztetéseket és utasításokat, akkor áramütés, tűz és/vagy súlyos sérülés következhet be.

1. Ne tegye ki a készüléket esőnek. Tárolja a készüléket beltéren.
2. Ne használja játékszerként. Fokozott körültekintéssel járjon el, ha a készüléket gyermekek közelében használja.
3. A készüléket kizárólag a jelen kézikönyvben leírt módon használja. Kizárólag a gyártó által javasolt tartozékokat használja.
4. Ne használja sérült akkumulátorral. Ha a készülék nem megfelelően működik, leejtették, megsérült, kültéren hagyták vagy vízbe ejtették, vigye vissza a szervizbe.
5. Ne használja a készüléket nedves kézzel.
6. Ne zárja el tárgyakkal a készülék nyílásait. A készüléket ne használja lezárt nyílásokkal; tartsa távol a port, szösz, hajat és minden olyan tárgyat, mely csökkentheti a levegő áramlását.
7. Tartsa távol haját, laza ruházatát, ujjait és minden egyéb testrészét a nyílásoktól és a mozgó részekről.
8. Kapcsoljon ki minden vezérlőt, mielőtt eltávolítja az akkumulátort.
9. Legyen különösen óvatos, amikor lépcsőn végez vele takarítást.
10. Ne használja tűveszélyes vagy gyúlékony folyadékok, mint például benzin felszívására, továbbá ne használja ezek környezetében sem.
11. Csak a gyártó által biztosított töltővel töltsen úja.
12. Ne szívjon fel vele semmilyen égő vagy füstölő tárgyat, mint például cigaretta, gyufa vagy forró hamu.
13. Ne használja porzsák és szűrő nélkül.
14. Ne töltsen az akkumulátort kültéren.
15. Az akkumulátort csak a gyártó által meghatározott töltővel töltsen. Egy adott típusú akkumulátorhoz használható töltő más akkumulátorokkal való használata tüzet okozhat.
16. A szerszámgepeket kizárólag a meghatározott akkumulátorokkal használja. Egyéb akkumulátorok használata sérülést vagy tüzet okozhat.
17. Amikor nem használja az akkumulátort, azt a többi fémtárgytól, például iratkapcsoktól, érméktől, kulcsoktól, szögektől, csavaroktól vagy egyéb apró fémtárgyaktól távol tárolja, mert ezek összeköttetést hozhatnak létre a pólusok között.

18. Helytelen működtetés esetén az akkumulátorból folyadék folyhat ki; kerülje az ezzel való érintkezést. Ha véletlenül érintkezésbe kerülne a folyadékkal, vízzel öblítse le.
19. Ne használjon sérült vagy módosított akkumulátort vagy szerszámot. A sérült vagy módosított akkumulátorok váratlan módon viselkedhetnek, melynek következtében tüzet, robbanást vagy sérülést okozhatnak.
20. Ne tegye ki az akkumulátort és a szerszámot nyílt lángnak vagy túlzott hőhatásnak. A tűz hatása és a 130 °C feletti hőmérséklet robbanást okozhat.
21. A töltésre vonatkozó minden utasítást tartson be, ne töltsen az akkumulátort vagy a szerszámot a megadott hőmérséklettartományon kívül. A nem megfelelő módú és nem megfelelő hőmérsékleten történő töltés az akkumulátor károsodásával járhat, valamint tüzet okozhat.

ŐRIZZE MEG EZEKET AZ UTASÍTÁSOKAT.

KIEGÉSZÍTŐ BIZTONSÁGI ELŐÍRÁSOK

A készülék kizárólag beltéri használatra alkalmas.

1. A használat előtt figyelmesen olvassa át ezt a használati útmutatót és a töltő használati útmutatóját.
2. Ne vegye fel vele a következő anyagokat:
 - Forró anyagok, mint égő cigaretta, vagy köszörlésből/fémvágásból származó szilánk/fémreszelék
 - Tűzveszélyes anyagok, mint például gázolin, hígító, benzin, kerozin vagy festék
 - Robbanó anyagok, mint például a nitroglicerin
 - Gyúlékony anyagok, mint például alumínium, cink, magnézium, titán, foszfor vagy celluloid
 - Nedves föld, víz, olaj vagy hasonlók
 - Kemény, éles szélű anyagok, mint például fahulladékok, fém-, kő- és üvegdarabok, szegkek, szegecsesek vagy pengék
 - Összeragadó por, mint a cement vagy toner
 - Vezetékes por, mint fém- vagy szénpor
 - Finom részecskék, mint például betonporAz ilyen művelet tüzet, sérülést és/vagy anyagkárt okozhat.
3. Ha bármilyen rendellenességet észlel, azonnal állítsa le a készüléket.
4. Ha elejtette vagy valamihez odaütötte a porszívót, a használat előtt gondosan ellenőrizze, hogy nincsenek-e rajta repedések vagy sérülések.
5. Ne vigye tűzhely vagy más hőforrás közelébe.
6. Ne zárja le a szívónyílást vagy a szellőzőnyílásokat.

ŐRIZZE MEG EZEKET AZ UTASÍTÁSOKAT.

Fontos biztonsági utasítások az akkumulátorra vonatkozóan

1. Az akkumulátor használata előtt tanulmányozza át az akkumulátortöltőt (1), az akkumulátoron (2) és az akkumulátorral működtetett terméken (3) olvasható összes utasítást és figyelmeztető jelzést.
2. Ne szerelje szét az akkumulátort.
3. Ha a működési idő nagyon lerövidült, azonnal hagyja abba a használatot. Ez a túlmelegedés, esetleges égések és akár robbanás veszélyével is járhat.
4. Ha elektrolit kerül a szemébe, mossa ki azt tiszta vízzel és azonnal kérjen orvosi segítséget. Ez a látásának elvesztését okozhatja.
5. Ne zárja rövidre az akkumulátort:
 - (1) Ne érjen az érintkezőkhöz elektromosan vezető anyagokkal.
 - (2) Ne tárolja az akkumulátort más fémtárgyakkal, mint pl. szegekkel, érmekkel, stb. egy helyen.
 - (3) Ne tegye ki az akkumulátort víznek vagy esőnek.

Az akkumulátor rövidzárlata nagy áramerősséget, túlmelegedést, égéseket, sőt akár meghibásodást is okozhat.
6. Ne tárolja a szerszámot vagy az akkumulátort olyan helyen, ahol a hőmérséklet elérheti vagy meghaladhatja az 50 °C-ot (122 °F).
7. Ne égesse el az akkumulátort még akkor sem, ha az komolyan megsérült vagy teljesen elhasználódott. Az akkumulátor a tűzben felrobbanhat.
8. Vigyázzon, nehogy leejtse vagy megüsse az akkumulátort.
9. Ne használjon sérült akkumulátort.
10. A készülékben található lítium-ion akkumulátorokra a veszélyes árukkal kapcsolatos előírások vonatkoznak. A termék pl. harmadik felek, fuvarozó cégek stb. általi történő szállítása esetén minden esetben tartsa szem előtt a csomagoláson és a címkén található speciális követelményeket.

A termék szállítása történő felkészítése esetén vegye fel a kapcsolatot egy veszélyes anyagokkal foglalkozó szakemberrel. Kérjük, hogy az esetlegesen szigorúbb nemzeti előírásokat is vegye figyelembe.

Ragassza le a kiálló érintkezőket, illetve oly módon csomagolja be az akkumulátort, hogy az ne tudjon elmozdulni a csomagolásban.
11. **Az akkumulátor ártalmatlanításakor tartsa be a helyi előírásokat.**
12. **Az akkumulátorokat csak a Makita által megjelölt termékekhez használja.** Ha az akkumulátorokat azokkal nem kompatibilis termékekbe helyezi, az tűzhöz, túlmelegedéshez, robbanáshoz vagy elektrolitszivárgáshoz vezethet.

ŐRIZZE MEG EZEKET AZ UTASÍTÁSOKAT.

VIGYÁZAT: Csak eredeti Makita akkumulátorokat használjon. A nem eredeti Makita akkumulátorok vagy módosított akkumulátorok használata esetén az akkumulátor felrobbanhat, ami tüzet, személyi sérülést és anyagi kárt okozhat. A Makita szerszáma és töltőre vonatkozó Makita garanciát is érvénytelenítheti.

Tippek az akkumulátor maximális élettartamának eléréséhez

1. Töltse fel az akkumulátort, mielőtt teljesen lemerülne. Állítsa le a gépet, és töltse fel az akkumulátort, ha a gép erejének csökkenését észleli.
2. Soha ne töltse újra a teljesen feltöltött akkumulátort. A túltöltés csökkenti az akkumulátor élettartamát.
3. Töltse az akkumulátort szobahőmérsékleten, 10 °C - 40 °C (50 °F - 104 °F) között. Töltés előtt hagyja lehűlni a főlforrósodott akkumulátort.

A MŰKÖDÉS LEÍRÁSA

VIGYÁZAT: Minden esetben ellenőrizze, hogy a szerszám ki van kapcsolva és az akkumulátor eltávolításra került mielőtt beállít vagy ellenőriz valamilyen funkciót a szerszámon.

VIGYÁZAT: Vigyázzon, nehogy az akkumulátor behelyezésekor becsipje az ujját/ujjait a porszívó és az akkumulátor közé. Az ujj(ak) becsipődése sérülést okozhat.

Az akkumulátor behelyezése és eltávolítása

VIGYÁZAT: Mindig kapcsolja ki az eszközt, mielőtt behelyezi vagy eltávolítja az akkumulátort.

VIGYÁZAT: Az akkumulátor behelyezésekor vagy eltávolításakor erősen fogja meg a szerszámot és az akkumulátort. Ha nem fogja erősen a szerszámot és az akkumulátort, azok kicsúszhatnak a kezei közül, ami a szerszám és az akkumulátor károsodásához, de akár személyi sérüléshez is vezethet.

► **Ábra1:** 1. Piros jel 2. Gomb 3. Akkumulátor

Az akkumulátoregység kivételéhez nyomja be az akkumulátoregység elején található gombot, és húzza le a gépről.

Az akkumulátor beszereléséhez illessze az akkumulátor nyelvét a burkolaton található vátatba és csúsztassa a helyére. Egészen addig tolja be, amíg az akkumulátor egy kis kattánással a helyére nem ugrik. Ha látható a piros jel a gomb felső oldalán, akkor a gomb nem tartant be teljesen.

VIGYÁZAT: Mindig tolja be teljesen az akkumulátort, amíg a piros jel el nem tűnik. Ha ez nem történik meg, akkor az akkumulátor kieshet a szerszámból, és Önnek vagy a környezetében másnak sérülést okozhat.

VIGYÁZAT: Ne erőltesse az akkumulátort behelyezésre. Ha az akkumulátor nem csúszik be könnyedén, akkor nem megfelelően lett behelyezve.

Szerszám-/akkumulátorvédő rendszer

A szerszám szerszám-/akkumulátorvédő rendszerrel van felszerelve. A rendszer automatikusan kikapcsolja a motor áramellátását, így megnöveli a szerszám és az akkumulátor élettartamát.

A készülék használat közben automatikusan leáll, ha a készülék vagy az akkumulátor a következő helyzetek egyikébe kerül. Egyes helyzetekben kigyullad a jelzőlámpa.

► **Ábra2:** 1. Jelzőlámpa

Túlterhelésvédelem

Ha a készüléket úgy használják, hogy az rendellenesen nagy áramot vesz fel, akkor a készülék automatikusan leáll, és a jelzőfény körülbelül 60 másodpercig villog. Ilyenkor kapcsolja ki a készüléket, és fejezze be azt a műveletet, amelyik a túlterhelést okozza. A munka újratekésítéséhez kapcsolja be a készüléket.

Túlmelegedés elleni védelem

A készülék/akkumulátor túlmelegedések a készülék automatikusan leáll, és az akkumulátortöltöttség-jelző körülbelül 60 másodpercre kigyullad. A készülék még bekapcsoláskor sem indul el. Ilyenkor hagyja lehűlni az akkumulátort, mielőtt ismét bekapcsolná a készüléket.

Mélykisütés elleni védelem

Ha az akkumulátor hamarosan lemerül, a jelzőfény villog. További használatra a készülék leáll, és a jelzőfény körülbelül 60 másodpercre kigyullad. A készülék ismételt bekapcsolásakor a motor elindul, de hamarosan le is áll. Ebben a helyzetben töltsé fel az akkumulátort.











MEGJEGYZÉS: A lámpa kigyulladásának ideje a munkaterület hőmérsékletétől és az akkumulátor állapotától függ.

Az akkumulátor töltöttségének jelzése

Csak állapotjelzős akkumulátorok esetén

► **Ábra3:** 1. Jelzőlámpák 2. Check (ellenőrzés) gomb

Nyomja meg az ellenőrzőgombot, hogy az akkumulátortöltöttség-jelző megmutassa a hátralévő akkumulátor-kapacitást. Ekkor a töltöttség-szint-jelző lámpák néhány másodpercre kigyulladnak.

Jelzőlámpák		Töltöttségi szint
		
		75%-tól 100%-ig
		50%-tól 75%-ig
		25%-tól 50%-ig
		0%-tól 25%-ig

MEGJEGYZÉS: Az adott munkafeltételektől és a környezeti hőmérsékletétől függően a jelzett töltöttségi szint némileg eltérhet a tényleges töltöttségi szinttől.

A kapcsoló használata

► **Ábra4:** 1. BE/fordulatszámváltó gomb 2. KI gomb

A porszívó bekapcsolásához csak nyomja le a BE/fordulatszámváltó gombot. A kikapcsoláshoz nyomja meg a KI gombot. Három különböző fordulatszámot állíthat be a porszívón a BE/fordulatszámváltó gomb segítségével.

A gomb első megnyomásával magas fordulatszámra vált, másodikra maximális fordulatszámra vált, harmadikra pedig visszavált normál fordulatszámra. A gomb minden egyes megnyomása a magas/maximális/normál fordulatszámok között léptet.

ÖSSZESZERELÉS

▲ VIGYÁZAT: Minden esetben ellenőrizze, hogy a szerszám ki van kapcsolva és az akkumulátort levette, mielőtt bármilyen műveletet végez a szerszámon.

Porzsák és papírszűrő

A porszívó használata előtt helyezzen be egy porzsákot vagy egy papírszűrőt.

A porzsák vagy a papírszűrő behelyezésekor használja a porelzárót. A porzsák többször is újrahasználatos anélkül, hogy azt ki kellene tisztítani.

A papírszűrő eldobható típusú. Amikor megtelt, dobja ki a papírszűrőt anélkül, hogy kiürítené.

MEGJEGYZÉS: Hogy elkerülhesse a por motorba jutását:

- Használat előtt győződjön meg arról, hogy a porzsák vagy a papírszűrő megfelelően a helyén van-e.
- A porelzárót és a porzsákot vagy papírszűrőt egyszerre helyezze be, egészen ütközésig.
- Ne használjon szakadt, lyukas porzsákot.

Ez károsíthatja a motort.

MEGJEGYZÉS: Ne hajtja meg a kartont a nyílásnál a papírszűrő behelyezésekor.

MEGJEGYZÉS: Soha ne dobja el a porelzárót, mert azt mindig használni kell a porzsák vagy a papírszűrő behelyezésekor.

MEGJEGYZÉS: A papírszűrő a porszívó teljesítményének fenntartásához szükséges fontos elem. A nem eredeti papírszűrő használata füstöt vagy szikraképződést eredményezhet.

A porzsák felhelyezése

Használja a porelzárót a porzsák behelyezéséhez. Figyeljen oda, nehogy véletlenül megfordítsa, mert a felső és alsó oldalak különböznek.

► **Ábra5:** 1. Porelzáró felső oldala 2. Porelzáró alsó oldala

1. Illessze a porzsák kiemelkedő részét a porelzárón található vajatba az ábrán látható módon.

A porzsák felső és alsó oldala nincs megkülönböztetve. Bármelyik oldalon található kiemelkedést beillesztheti a porelzáró vajatába.

► **Ábra6:** 1. Porelzáró 2. Vaját 3. Porzsák

2. Illessze egymáshoz a porelzáró keretét és a porzsák keretét.

► **Ábra7**

3. Helyezze a porelzárót és a porzsákat a porszívóban levő üregbe úgy, hogy a porelzárón található nyíl befelé nézzen. Tolja be teljesen a porszívó üregében található résbe.

► **Ábra8:** 1. Nyílás

4. Helyezze a porzsák szövet részét a porszívó belsejébe.

► **Ábra9**

5. Zárja be teljesen a porgyűjtő fedelét.

► **Ábra10:** 1. Porgyűjtő fedele

MEGJEGYZÉS: Amikor a porzsák nincs behelyezve a porszívóba, a porgyűjtő fedele nem záródik be teljesen.

A papírszűrő beszerelése

Használja a porelzárót a papírszűrő behelyezésekor is. Figyeljen oda, nehogy véletlenül megfordítsa, mert a felső és alsó oldalak különböznek.

► **Ábra11:** 1. Porelzáró felső oldala 2. Porelzáró alsó oldala

1. Hajtsa ki a papírszűrő száját, mielőtt ráhelyezi azt a porelzáróra.

► **Ábra12**

2. Illessze a papírszűrő kiemelkedő részét a porelzáró vajatába az ábrán látható módon.

A papírszűrő felső és alsó oldala nincs megkülönböztetve. Bármelyik oldalon található kiemelkedést beillesztheti a porelzáró vajatába.

► **Ábra13:** 1. Porelzáró 2. Vajat 3. Papírszűrő

3. Illessze egymáshoz a porelzáró és a papírszűrő keretét.

► **Ábra14**

4. Helyezze a porelzárót és a papírszűrőt a porszívóban levő üregbe úgy, hogy a porelzárón található nyíl befelé nézzen. Tolja be teljesen a porszívó üregében található résbe.

► **Ábra15:** 1. Nyílás

5. Helyezze a papírszűrő teljes tárolórészét a gép belsejébe.

► **Ábra16**

6. Zárja be teljesen a porgyűjtő fedelét.

► **Ábra17:** 1. Porgyűjtő fedele

MEGJEGYZÉS: Amikor a papírszűrő nincs behelyezve a porszívóba, a porgyűjtő fedele nem záródik be teljesen.

A vallszj felszerelése

⚠VIGYÁZAT: Vigyázzon, hogy a vallszj ne akadjon bele a környezetében lévő tárgyakba.

⚠VIGYÁZAT: Vigyázzon, hogy a porszívó használatakor a vallszj ne csússzon le a válláról.

A porszívó stabil kezeléséhez javasoljuk, hogy a vallszját viselje keresztben a melle előtt.

Az ábrán látható módon csatlakoztassa a vallszj akasztóit a porszívó csatlajaira.

► **Ábra18:** 1. Vallszj 2. Akasztó 3. Csatlaj

MEGJEGYZÉS: A vallszját a puha táskához (opcionális tartozék) is csatlakoztathatja az ábrán látható módon.

► **Ábra19:** 1. Vallszj 2. Puha táskák

MŰKÖDTETÉS

⚠VIGYÁZAT: A porszívó szállításakor mindig a fogantyút fogja. Ha a tartozék részét fogja szállításkor, az leválhat a porszívóról, és személyi sérülést okozhat.

⚠VIGYÁZAT: Ne ragadja meg a gégecső-csatlakozót az ábrán látható módon. A gégecső-csatlakozó megfogásával becsípheti az ujjait.

► **Ábra20:** 1. Gégecső-csatlakozó

Használat porszívóként

MEGJEGYZÉS: Porszívózás előtt távolítsa el a fűvőtartozékot. Ha a fűvőtartozék a porszívóra van csatlakoztatva, az csökkenti a szívóerőt.

A szívótartozék felszerelése és eltávolítása

Tartozék, például szívófej csatlakoztatásához csavarja és helyezze be biztonságosan a gégecsőbe. Eltávolításhoz forgassa el, és húzza ki.

A beszerelés módja eltér a szívófejektől függően az ábrázolt módon.

► **Ábra21:** 1. Gégecső 2. Gumi szívófej 3. Puha kefe 4. Ülészívó fej 5. Lábtörlőszívó fej

Porszívózás

Gumi szívófej

Ez a szívófej alkalmas az alsó sarkok, mint például az ajtónyílás tisztítására. A gumi szívófej kíméletes a tisztított felülethez.

► **Ábra22:** 1. Gumi szívófej

Puha kefe

Ez a szívófej alkalmas a légkondicionáló szellőzőinek, a műszerfal, stb. tisztítására. A puha kefe fejét a megfelelő szögbe lehet fordítani.

► **Ábra23:** 1. Puha kefe

Ülészívó fej

Ez a szívófej szöszeltávolító kefével rendelkezik, hogy tisztítsa az ülés felületét. A szívófej oldalkefeje hasznos, mert eltávolítja a port a varratokból.

► **Ábra24:** 1. Ülészívó fej 2. Oldalkefe

Lábtörlőszívó fej

Ez a szívófej a lábtörlők és szőnyegek tisztítására szolgál. A szívófejen lévő fogak segítenek eltávolítani a homokszemeket.

► **Ábra25:** 1. Lábtörlőszívó fej

MEGJEGYZÉS: Lábtörlő tisztításához mindig használja a lábtörlőszívó fejet. Ha más anyagokhoz használja a lábtörlőszívó fejet, megkarcolhatja a felületet.

Tisztítás szívófej nélkül

Porszívózhat szívófej nélkül is.

► **Ábra26**

A por kiürítése

⚠VIGYÁZAT: Ürítse ki a porzsákot, illetve cserélje ki a papírszűrőt, mielőtt megtelik. Ellenkező esetben csökken a szívó-, illetve fúvóerő.

⚠VIGYÁZAT: A porgyűjtő fedelének becsukásakor vigyázzon, hogy ne csipje be az ujjait.

MEGJEGYZÉS: Soha ne dobja el a porelzárót, mert azt mindig használni kell a porzsák vagy a papírszűrő behelyezésekor.

MEGJEGYZÉS: Amikor a porzsák/papírszűrő nincs behelyezve a porszívóba, a porgyűjtő fedele nem záródik be teljesen. Ne erőltesse a porgyűjtő fedelét bezárásakor. Ez a készülék deformálódását vagy törését okozhatja.

MEGJEGYZÉS: A por eltávolításakor tisztítsa meg a porzsák/papírszűrő tartóját is. A tartóban maradó por és piszok a szivacsos szűrő eltömődését vagy a motor károsodását okozhatja.

1. Nyissa ki a porgyűjtő fedelét.
▶ **Ábra27:** 1. Porgyűjtő fedele
 2. Húzza ki együtt a narancsszínű porelzárót és a porzsákot/papírszűrőt.
▶ **Ábra28:** 1. Porelzáró
 3. **Porzsák használata esetén**
Távolítsa el a porelzárót, és ürítse ki a porzsákot.
▶ **Ábra29:** 1. Porelzáró 2. Porzsák
- Papírszűrő használata esetén**
Távolítsa el a porelzárót, és dobja el a papírszűrőt.
▶ **Ábra30:** 1. Porelzáró 2. Papírszűrő
4. Helyezze be együtt a porzsákot/új papírszűrőt és a porelzárót a porszívóba, és zárja be a porgyűjtő fedelét.

Használat fújóként

⚠VIGYÁZAT: Soha ne irányítsa a szívófejet a közelben tartózkodókra.

⚠VIGYÁZAT: A por belélegzésének elkerülése érdekében ajánlatos az ablakokat kinyitni, valamint védőszemüveget és maszkot viselni működés közben.

⚠VIGYÁZAT: Ne húzza meg a fúvótartozékokat. Lejöhét a porszívóról.

⚠VIGYÁZAT: Ne használja a porszívót arra, hogy levegőt fújjon tárgyakba, mint például gumicsónakba, labdába vagy más felfújható tárgyakba. A megnövelt motorfordulat a ventilátor veszélyes törését okozhatja.

A fúvótartozék felszerelése és eltávolítása

A fúvótartozék csatlakoztatásához illessze a fúvótartozék rögzítőjén lévő kiemelkedést a nyílásban lévő vájathoz, majd nyomja be, amíg kattán.

▶ **Ábra31:** 1. Fúvótartozék

A fúvótartozék eltávolításához húzza lefelé a rögzítőt, miközben nyomja a tetejét az ábrázolt módon.

▶ **Ábra32**

Fúvás

Íranyítsa a fúvótartozék végét a lefúvandó tárgy felé, majd kapcsolja be a készüléket.

▶ **Ábra33**

KARBANTARTÁS

⚠VIGYÁZAT: Minden esetben ellenőrizze, hogy a szerszám ki van kapcsolva és az akkumulátor eltávolításra került mielőtt átvizsgálja a szerszámot vagy annak karbantartását végzi.

MEGJEGYZÉS: Soha ne használjon gázolajt, benzint, hígítót, alkoholt vagy hasonló anyagokat. Ezek elszineződést, alakvesztést vagy repedést okozhatnak.

A termék BIZTONSÁGÁNAK és MEGBÍZHATÓSÁGÁNAK fenntartása érdekében a javításokat és más karbantartásokat vagy beállításokat a Makita hivatalos vagy gyári szervizközpontjában kell elvégezni, mindig csak Makita cserealkatrészeket használva.

Tisztítás

Időnként törölje át szappanos vízzel megnedvesített rongy segítségével a porszívó külső felületeit (a készülék házát).

Tisztítsa ki a szívónyílást, a porzsák/papírszűrő rögzítési helyének környezetét és a porelzárót.

▶ **Ábra34**

Szappanos vízben mossa ki a porzsákot, ha porral eltömődött, és a szívóteljesítmény lecsökken. Használat előtt alaposan szárítsa meg. A nem teljesen megszárlított szűrő gyenge szívóteljesítményt és a motor élettartamának rövidülését okozhatja.

▶ **Ábra35**

MEGJEGYZÉS: A papírszűrő eldobható típusú.

Ha a szivacsos szűrő eltömődött, vegye le a porszívóról és törölje le vagy mossa ki vízben.

A szivacsos szűrő eltávolítása és visszahelyezése

⚠VIGYÁZAT: A szivacsos szűrőt a tisztítást követően helyezze vissza a porszívóba. Ha vízben mosta, szárítsa meg alaposan a visszahelyezés előtt. A nem eléggé száraz szivacsos szűrő csökkentheti a motor élettartamát.

A szivacsos szűrő eltávolításához előbb vegye ki a porzsákot vagy a papírszűrőt, majd fogja meg két ujjal és vegye ki a szűrőt.

▶ **Ábra36:** 1. Szivacsos szűrő

Nyomja be a szivacsos szűrő szélét a porzsák/papírszűrő rögzítési helyén, belül található sülyesztett falhoz.

▶ **Ábra37:** 1. Bemélyedés

Tárolás

▲ FIGYELMEZTETÉS: Soha ne hagyja az akkumulátort és a töltőt a gépkocsiban. Egy napon hagyott gépkocsi belsejében a hőmérséklet meghaladhatja az 50 °C-t (122 °F). Az akkumulátor megsérülhet, és folyadékibocsátást, füstképződést vagy tüzet okozhat.

► Ábra38

▲ FIGYELMEZTETÉS: Soha ne használja a töltőt táskában. A légszellőző elzárása füstképződést vagy tüzet okozhat.

► Ábra39

▲ FIGYELMEZTETÉS: Soha ne töltsze az akkumulátort járműbe szerelt inverterrel. Rendellenes hőt okozhat, és tűz keletkezhet.

▲ FIGYELMEZTETÉS: Soha ne töltsze az akkumulátort gépkocsiban. Ha az akkumulátor a 10 °C (50 °F) - 40 °C (104 °F) -on kívüli hőmérséklet-tartományban van kitéve, hő képződhet és/vagy kigyulladhat vagy felrobbanhat.

▲ VIGYÁZAT: Amikor a porszívó nincs használatban, a gégecsövet mindig az ábrázolt módon tárolja, hogy elkerülje a megbotlást.

A letekeredett gégecső beleakadhat a lábába, és személyi sérülést okozhat.

► Ábra40: 1. Akasztó 2. Gégecső

Hibaelhárítás

Mielőtt javítást igényelne, ellenőrizze a következőket.

Tünet	Átvizsgálendő terület	Megoldás
Gyenge szívóteljesítmény	A porzsák vagy a papírszűrő tele van porral?	Üritse ki a porzsákat vagy a papírszűrőt.
	Eltömődött el a porzsák?	Porolja ki, vagy mossa ki a porzsákat.
	Eltömődött el a papírszűrő?	Cserélje ki a papírszűrőt.
	Lemerült az akkumulátor?	Töltse fel az akkumulátort.
Nem működik	Lemerült az akkumulátor?	Töltse fel az akkumulátort.
A porgyűjtő fedele nem záródik	Be van illesztve a porzsákat vagy a papírszűrőt?	Illessze be a porzsákat vagy a papírszűrőt.

MEGJEGYZÉS: Ne próbálja egyedül megjavítani a porszívót.

OPCIONÁLIS KIEGÉSZÍTŐK

▲ VIGYÁZAT: Ezen kiegészítőket és tartozékokat javasoljuk a kézikönyvben ismertetett Makita szerszámhoz. Bármilyen más kiegészítő vagy tartozék használata a személyi sérülés kockázatával jár. A kiegészítőt vagy tartozékokat csak rendeltetészerűen használja.

Ha bármilyen segítségre vagy további információra van szüksége ezekkel a tartozékokkal kapcsolatban, keresse fel a helyi Makita Szervizközpontot.

- Csőtoldat (egyenes cső)
- Szívófej
- Szőnyegkefe
- Bútorkefe
- Saroktisztító fej
- Körkefe
- Hajlékony cső
- Papírszűrő
- Különálló szívófej
- Ülőszívó fej
- Résszívófej
- Ciklon tartozék

- Porzsák
- Nagyteljesítményű porzsák
- Puha táska
- Eredeti Makita akkumulátor és töltő

MEGJEGYZÉS: A listán felsorolt néhány kiegészítő megtalálható az eszköz csomagolásában standard kiegészítőként. Ezek országonként eltérőek lehetnek.

VAROVANIE

Toto náradie môžu používať deti staršie ako 8 rokov a osoby so zníženými fyzickými, zmyslovými a duševnými schopnosťami alebo nedostatočnou skúsenosťou, ak pracujú pod dohľadom alebo na základe vydaných pokynov o používaní náradia bezpečným spôsobom a chápu možné riziká. Deti sa s náradím nesmú hrať. Deti bez dozoru nesmú vykonávať čistenie a údržbu.

TECHNICKÉ ŠPECIFIKÁCIE

Model:	CL121D	
Kapacita	s vreckom na prach	500 ml
	s papierovým filtrom	330 ml
Nepretržité používanie (s akumulátorom BL1016)	1 (režim normálnych otáčok)	Pribl. 25 min
	2 (režim vysokých otáčok)	Pribl. 12 min
	3 (režim maximálnych otáčok)	Pribl. 10 min
Celková dĺžka (s akumulátorom BL1016)	345 mm	
Menovité napätie	Jednosmerný prúd 10,8 V - 12 V max.	
Čistá hmotnosť	1,7 – 1,8 kg	

- Vzhľadom k neustálemu výskumu a vývoju podliehajú technické údaje uvedené v tomto dokumente zmenám bez upozornenia.
- Technické údaje sa môžu pre rôzne krajiny líšiť.
- Hmotnosť nezahŕňa žiadne ďalšie príslušenstvo s výnimkou akumulátora. V tabuľke sa uvádzajú kombinácie najnižšej a najvyššej hmotnosti príslušenstva a akumulátora.

Použiteľné akumulátory a nabíjačky

Akumulátor	BL1015 / BL1016 / BL1020B / BL1021B / BL1040B / BL1041B
Nabíjačka	DC10SA / DC10SB / DC10WC / DC10WD / DC18RE

- Niektoré vyššie uvedené akumulátory a nabíjačky môžu byť nedostupné v závislosti od miesta vášho bydliska.

VAROVANIE: Používajte iba akumulátory a nabíjačky zo zoznamu uvedeného vyššie. Používanie akýchkoľvek iných akumulátorov a nabíjačiek môže spôsobiť zranenie a/alebo požiar.

Symboły

Nižšie sú uvedené symboly, s ktorými sa môžete stretnúť pri použití nástroja. Je dôležité, aby ste poznali ich význam, skôr než začnete pracovať.



Prečítajte si návod na obsluhu.



Len pre štáty EÚ
Elektrické zariadenia ani akumulátor nevyhadzujte do komunálneho odpadu! Podľa európskej smernice o nakladaní s použitými elektrickými a elektronickými zariadeniami a smernice o batériách a akumulátoroch a odpadových batériách a akumulátoroch a ich implementovaní v súlade s právnymi predpismi jednotlivých krajín je nutné elektrické zariadenia a batérie po skončení ich životnosti separovať a odovzdať na zberné miesto vykonávajúce environmentálne kompatibilné recyklovanie.

Určené použitie

Tento nástroj je určený na vysávanie suchého prachu.

BEZPEČNOSTNÉ VAROVANIA

Bezpečnostné varovania pre akumulátorový vysávač

VAROVANIE: JE DÔLEŽITÉ, aby ste si **PRED** POUŽITÍM **DÔKLADNE PREČÍTALI** všetky varovania a pokyny. Nedodržovanie varovaní a pokynov môže mať za následok zasiahnutie elektrickým prúdom, požiar alebo vážne zranenie.

1. Nevystavujte dažďu. Skladujte v interiéri.
2. Nedovoľte, aby sa spotrebič používal ako hračka. Pokiaľ sa na mieste používania vyskytujú deti, je potrebné dávať veľký pozor.
3. Používajte len podľa pokynov v tomto návode. Používajte len doplinky schválené výrobcom.
4. Poškodený akumulátor nepoužívajte. Pokiaľ náradie nefunguje správnym spôsobom, spadlo, došlo k jeho poškodeniu, bolo ponechané vonku alebo spadlo do vody, odnesť ho do servisného strediska.
5. S náradím nemanipulujte mokrymi rukami.
6. Do otvorov nepchajte žiadne predmety. Náradie nepoužívajte, pokiaľ sú otvory zablokované. Chráňte pred prachom, vlákнами, vlasmi a všetkým, čo môže znížiť prietok vzduchu.
7. Vlasy, voľný odev, prsty a všetky časti tela majte v dostatočnej vzdialenosti od otvorov a pohyblivých súčastí.
8. Pred vybratím akumulátora vypnite všetky ovládacie prvky.
9. Maximálnu pozornosť venujte vysávaniu na schodoch.
10. Nepoužívajte na vysávanie horľavých alebo zápalných kvapalín, napríklad benzín, ani nepoužívajte na miestach, kde sa tieto kvapaliny môžu vyskytovať.
11. Na nabíjanie používajte jedine nabíjačku dodanú výrobcom.
12. Nevysávajte nič, čo hori alebo dymí, napríklad cigarety, zápalky alebo horúci popol.
13. Nepoužívajte bez založeného vrečka na prach a filter.
14. Akumulátor nenabíjajte v exteriéri.
15. Nabíjajte iba nabíjačkou určenou výrobcom. Nabíjačka vhodná pre jeden typ akumulátora môže pri inom type akumulátora spôsobiť riziko vzniku požiaru.
16. Elektrické náradie používajte iba s určeným typom akumulátora. Použitie iného typu akumulátora môže spôsobiť riziko vzniku požiaru a úrazu.
17. Keď sa akumulátor práve nepoužíva, skladujte ho v bezpečnej vzdialenosti od iných kovových predmetov, akými sú sponky, mince, kľúče, klince, skrutky alebo iné malé kovové predmety, ktoré by mohli kontakty akumulátora skratovať.
18. Pri nevhodných podmienkach môže z akumulátora vytekať kvapalina. Nedotýkajte sa jej. Pri náhodnom kontakte ju opláchnite vodou.

19. Nepoužívajte akumulátor alebo nástroj, ktorý je poškodený alebo upravovaný. Fungovanie poškodených alebo upravovaných akumulátorov ťažko predvídať a môžu zapríčiniť požiar, výbuch alebo zranenie.
20. Akumulátor ani nástroj nevystavujte ohňu či nadmernej teplote. Vystavenie ohňu alebo teploty nad 130 °C môže spôsobiť výbuch.
21. Dodržiavajte všetky pokyny pre nabíjanie a akumulátor ani nástroj nenabíjajte v prípade prekročenia teplotného rozsahu uvedeného v návode. Nesprávne nabíjanie alebo nabíjanie pri teplotách mimo uvedeného rozsahu môže spôsobiť poškodenie akumulátora a zvýšiť riziko požiaru.

TIETO POKYNY USCHOVAJTE.

ĎALŠIE BEZPEČNOSTNÉ ZÁSADY

Toto zariadenie nie je určené na použitie v domácnosti.

1. Pred použitím si pozorne prečítajte tento návod na obsluhu a návod na obsluhu nabíjačky.
2. Nevysávajte nasledujúce materiály:
 - horúce materiály, akými sú horiace cigarety alebo iskriaci/kovový prach, ktorý vzniká pri brúsení alebo rezaní kovu
 - Horľavé materiály, ako je benzín, riedidlá, benzol, petrolej alebo farby
 - Výbušné materiály, ako je nitroglycerín
 - Zápalné materiály, ako je hliník, zinok, horčík, titán, fosfor a celulozoid
 - Mokré nečistoty, vodu, olej a podobné materiály
 - Tvrdé kusy s ostrými hranami, napríklad drevené triesky, kovy, kamene, sklo, klince, špendlíky alebo žiletky
 - Prachové upchávajúce materiály, napríklad cement či toner
 - Vodivý prach, napríklad kov alebo uhlík
 - Jemné častice, napríklad betónový prachTakéto činnosti môžu zapríčiniť vznik požiaru, poranenie alebo škody na majetku.
3. Ak spozorujete niečo nezvyčajné, okamžite zastavte prácu.
4. Ak vám vysávač spadne alebo ním narazíte, pred ďalším použitím pozorne skontrolujte, či na ňom nie sú praskliny alebo iné poškodenie.
5. Nepribližujte sa ním k sporákom ani iným zdrojom tepla.
6. Neblokujte vstupný otvor ani vetracie otvory.

TIETO POKYNY USCHOVAJTE.

Dôležité bezpečnostné a prevádzkové pokyny pre akumulátor

1. Pred použitím akumulátora si prečítajte všetky pokyny a výstavné označenia na (1) nabíjačke akumulátorov, (2) akumulátore a (3) produkte používajúcom akumulátor.
2. Akumulátor nerozoberajte.
3. Ak sa doba prevádzky príliš skráti, ihneď prerušte prácu. Môže nastať riziko prehriatia, možných popálením či dokonca explózie.

4. V prípade zasiahnutia očí elektrolytom ich vypláchnite čistou vodou a okamžite vyhľadajte lekársku pomoc. Môže dôjsť k strate zraku.
5. Akumulátor neskratujte:
 - (1) Nedotýkajte sa konektorov žiadnym vodivým materiálom.
 - (2) Neskladujte akumulátor v obale s inými kovovými predmetmi, napríklad klincami, mincami a pod.
 - (3) Akumulátor nevystavujte vode ani dažďu. Skrat akumulátora môže spôsobiť veľký tok prúdu, prehriate, možné popáleniny či dokonca poruchu.
6. Neskladujte nástroj ani akumulátor na miestach s teplotou presahujúcou 50 °C (122 °F).
7. Akumulátor nespáľujte, ani keď je vážne poškodený alebo úplne opotrebovaný. Akumulátor môže v ohni explodovať.
8. Dávajte pozor, aby akumulátor nespadol, a nevystavujte ho nárazom.
9. Nepoužívajte poškodený akumulátor.
10. Lítium-iónové akumulátory, ktoré sú súčasťou náradia, podliehajú požiadavkám legislatívy o nebezpečnom tovare.

V prípade obchodnej prepravy, napr. dodanie tretími stranami či špeditériami, sa musia dodržiavať špeciálne požiadavky na zabalenie a označenie. Pred prípravou položky na odoslanie sa vyžaduje konzultácia s odborníkom na nebezpečný materiál. Taktiež treba dodržiavať potenciálne podrobnejšie predpisy príslušnej krajiny. Prelepte alebo zakryte otvorené kontakty a zabalte akumulátor tak, aby sa v balíku nemohol voľne pohybovať.

11. Akumulátor zlikvidujte v súlade s miestnymi nariadeniami.
12. Akumulátory používajte iba s výrobkami uvedenými spoločnosťou Makita. Inštalácia akumulátorov do nevhodujúcich výrobkov môže spôsobiť požiar, nadmerné teplo, výbuch alebo únik elektrolytov.

TIETO POKYNY USCHOVAJTE.

⚠️ POZOR: Používajte len originálne akumulátory od spoločnosti Makita. Používanie batérií, ktoré nie sú od spoločnosti Makita, alebo upravených batérií môže spôsobiť výbuch batérie a následný požiar, zranenie osôb alebo poškodeniu majetku. Následkom bude aj zrušenie záruky od spoločnosti Makita na nástroj a nabíjačku od spoločnosti Makita.

Rady na udržanie maximálnej životnosti akumulátora

1. Akumulátor nabíjajte ešte predtým, ako sa úplne vybije. Vždy prerušte prácu s nástrojom a nabíjajte akumulátor, keď spozorujete nižší výkon nástroja.
2. Nikdy nenabíjajte plne nabitý akumulátor. Prebíjanie skracuje životnosť akumulátora.
3. Akumulátor nabíjajte pri izbovej teplote 10 °C – 40 °C (50 °F – 104 °F). Pred nabíjaním nechajte horúci akumulátor vychladnúť.

OPIS FUNKCIÍ

⚠️ POZOR: Pred úpravou alebo kontrolou funkčnosti nástroja vždy skontrolujte, či je nástroj vypnutý a akumulátor je vybrať.

⚠️ POZOR: Dávajte pozor, aby sa vám pri vkladaní akumulátora do vysávača nedostali prsty do priestoru medzi nimi. Zachytenie prstov v tomto priestore môže spôsobiť zranenie.

Inštalácia alebo demontáž akumulátora

⚠️ POZOR: Pred inštaláciou alebo vybratím akumulátora nástroj vždy vypnite.

⚠️ POZOR: Pri inštalovaní a vyberaní akumulátora pevne uchopíte nástroj a akumulátor. Ak nástroj a akumulátor pevne neuchopíte, môže to mať za následok vyšmyknutie z vašich rúk s dôsledkom poškodenia nástroja a akumulátora, ako aj osobných poranení.

► **Obr.1:** 1. Červený indikátor 2. Tlačidlo 3. Akumulátor

Ak chcete vybrať akumulátor, vysuňte ho z nástroja, pričom posuňte tlačidlo na prednej strane akumulátora.

Akumulátor vložte tak, že jazýček akumulátora zarovnáte s drážkou v kryte a zasuniete ho na miesto. Zatlačte ho úplne, kým zakliknutím nezapadne na miesto. Ak vidíte červený indikátor na hornej strane tlačidla, nie je správne zapadnutý.

⚠️ POZOR: Akumulátor vždy nainštalujte úplne, až kým nie je vidieť červený indikátor. V opačnom prípade môže náhodne vypadnúť z nástroja a ublížiť vám alebo osobám v okolí.

⚠️ POZOR: Pri inštalovaní akumulátora nepoužívajte silu. Ak sa akumulátor nedá zasunúť ľahko, nekladáte ho správne.

Systém na ochranu náradia / akumulátora

Náradie je vybavené systémom ochrany náradia / akumulátora. Tento systém automaticky vypne napájanie motora s cieľom predĺžiť životnosť náradia a akumulátora.

Náradie sa počas prevádzky automaticky zastaví v prípade, ak sa náradie alebo akumulátor dostanú do jedného z nasledujúcich stavov. V niektorých stavoch sa rozsvieti kontrolka.

► **Obr.2:** 1. Kontrolka

Ochrana proti preťaženiu

Keď je náradie prevádzkované spôsobom, ktorý spôsobuje nadmerný odber prúdu, náradie sa automaticky zastaví a kontrolka bude blikať približne 60 sekúnd. V tejto situácii vypnite náradie a ukončíte prácu, ktorá spôsobuje jeho preťažovanie. Potom náradie zapnutím znova spustíte.

Ochrana pred prehrievaním

Keď sa náradie/akumulátor prehreje, náradie sa automaticky zastaví a kontrolka akumulátora bude blikať približne 60 sekúnd. Náradie sa nespustí ani po zapnutí náradia. V tejto situácii nechajte akumulátor pred opätovným zapnutím náradia vychladnúť.

Ochrana pred prílišným vybíjaním

Ak je zostávajúca kapacita akumulátora nízka, kontrolka bliká. Pri ďalšom použití sa náradie zastaví a kontrolka sa rozsvieti približne na 60 sekúnd. Ak zapnete náradie, motor sa rozbehne, ale čoskoro sa zastaví. V takej situácii nabite akumulátor.









POZNÁMKA: Čas, kedy sa kontrolka rozsvieti, závisí od teploty na pracovisku a na stave akumulátora.

Indikácia zvyšnej kapacity akumulátora

Len na akumulátory s indikátorom

► Obr.3: 1. Indikátory 2. Tlačidlo kontroly

Stlačením tlačidla kontroly na akumulátore zobrazíte zostávajúcu kapacitu akumulátora. Indikátory sa na niekoľko sekúnd rozsvietia.

Indikátory		Zostávajúca kapacita
Svieti	Nesvieti	
		75 % až 100 %
		50% až 75%
		25% až 50%
		0% až 25%

POZNÁMKA: V závislosti od podmienok používania a v závislosti od okolitej teploty sa môže zobrazenie mierne odlišovať od skutočnej kapacity.

Zapínanie

► Obr.4: 1. Tlačidlo ZAPNUTIA/zmeny rýchlosti
2. Tlačidlo VYPNUTIA

Na zapnutie vysávača jednoducho stlačte tlačidlo ZAPNUTIA/zmeny rýchlosti. Na vypnutie stlačte tlačidlo VYPNUTIA.

Otáčky vysávača môžete zmeniť v troch krokoch stlačením tlačidla ZAPNUTIA/zmeny rýchlosti.

Pri prvom stlačení tlačidla zapnete režim vysokých otáčok, pri druhom režim maximálnych otáčok a pri treťom režim normálnych otáčok. Pri každom stlačení tlačidla sa budú cyklicky prepínať vysoké/maximálne/normálne otáčky.

ZOSTAVENIE

⚠ POZOR: Pred vykonaním akejkoľvek práce na nástroji vždy skontrolujte, či je nástroj vypnutý a akumulátor je vybratý.

Vrecko na prach a papierový filter

Pred použitím vysávača nainštalujte vrecko na prach alebo papierový filter.

Pri vkladaní vrecka na prach lebo papierového filtra použite zachytávač prachu.

Vrecko na prach možno viackrát opätovne použiť, stačí ho vyčistiť.

Papierový filter je jednorazového typu. Po naplnení vyhodte celý papierový filter, nevyprázdňujte ho.

UPOZORNENIE: Na ochranu pred vniknutím prachu do motora:

- Pred použitím skontrolujte, či je nainštalované vrecko na prach alebo papierový filter.
- Pri inštalácii vložte zachytávač prachu spolu s vreckom na prach alebo papierovým filtrom až na doraz do príslušných otvorov.
- Nepoužívajte poškodené alebo pretrhnuté vrecko.

V opačnom prípade môže dôjsť k poškodeniu motora.

UPOZORNENIE: Neohýňajte kartón v tomto otvore pri vkladaní papierového filtra.

UPOZORNENIE: Zachytávač prachu nikdy nevyhadzujte, pretože sa musí používať opakovane vždy pri použití vrecka na prach alebo papierového filtra.

UPOZORNENIE: Papierový filter vysávača je dôležitý prvok na zachovanie výkonu zariadenia. Používanie iných ako originálnych papierových filtrov môže spôsobiť dymenie alebo vznietenie.

Nasadenie vrecka na prach

Pri vkladaní vrecka na prach použite zachytávač prachu. Dávajte pozor, aby ste omylom nezamenili hornú stranu s dolnou stranou, pretože sú rozdielne.

► Obr.5: 1. Horná strana zachytávača prachu
2. Dolná strana zachytávača prachu

1. Vložte výčnelok vrecka na prach do drážky v zachytávači prachu podľa zobrazenia na obrázku.

Medzi hornou a dolnou stranou vrecka na prach nie je žiadny rozdiel. Do drážky zachytávača prachu môžete vložiť jeho výčnelok na ľubovoľnej strane.

► Obr.6: 1. Zachytávač prachu 2. Drážka 3. Vrecko na prach

2. Prekryte rám zachytávača prachu rámom vrecka na prach.

► Obr.7

3. Vložte zachytávač prachu a vrecko na prach spoločne do priestoru vo vysávači v smere šípky na zachytávači prachu. Vložte ich až na doraz do otvorov v priestore vo vysávači.

► Obr.8: 1. Otvor

4. Vložte celú plátnovú časť vrecka na prach do vysávača.

► **Obr.9**

5. Kryt nádoby na prach úplne zatvorte.

► **Obr.10:** 1. Kryt nádoby na prach

POZNÁMKA: Ak vo vysávači nie je nainštalované vrecko na prach, kryt nádoby na prach sa úplne nezavrie.

Inštalácia papierového filtra

Aj pri inštalácii papierového filtra použite zachytávač prachu. Dávajte pozor, aby ste omylom nezamenili hornú stranu s dolnou stranou, pretože sú rozdielne.

► **Obr.11:** 1. Horná strana zachytávača prachu
2. Dolná strana zachytávača prachu

1. Pred nasadením papierového filtra na zachytávač prachu roztvorte jeho vstup.

► **Obr.12**

2. Vložte výčnelok papierového filtra do drážky v zachytávači prachu podľa zobrazenia na obrázku.

Medzi hornou a dolnou stranou papierového filtra nie je žiadny rozdiel. Do drážky zachytávača prachu môžete vložiť jeho výčnelok na ľubovoľnej strane.

► **Obr.13:** 1. Zachytávač prachu 2. Drážka
3. Papierový filter

3. Prekryte rám zachytávača prachu rámom papierového filtra.

► **Obr.14**

4. Vložte zachytávač prachu a papierový filter spoločne do priestoru vo vysávači v smere šípky na zachytávači prachu. Vložte ich až na doraz do otvorov v priestore vo vysávači.

► **Obr.15:** 1. Otvor

5. Vložte celú zásobníkovú časť papierového filtra do zariadenia.

► **Obr.16**

6. Kryt nádoby na prach úplne zatvorte.

► **Obr.17:** 1. Kryt nádoby na prach

POZNÁMKA: Ak vo vysávači nie je nainštalovaný papierový filter, kryt nádoby na prach sa úplne nezavrie.

Pripevnenie popruhu na plece

▲POZOR: Dávajte pozor, aby sa popruh na plece nezachytil o predmety vo vašom okolí.

▲POZOR: Dávajte pozor, aby sa pri použití vysávača nezošmykol popruh na plece z vášho pleca. Na stabilnú manipuláciu s vysávačom sa odporúča nosiť popruh na plece prekrížený v prednej časti hrudníka.

Háčiky popruhu na plece pripevnite k úchytkám na vysávači podľa obrázka.

► **Obr.18:** 1. Popruh na plece 2. Háčik 3. Úchytky

POZNÁMKA: K mäkkému vrecku (voliteľné príslušenstvo) môžete pripojiť aj popruh na plece tak, ako sa uvádza na obrázku.

► **Obr.19:** 1. Popruh na plece 2. Mäkké vrecko

PREVÁDZKA

▲POZOR: Pri prenášaní vysávača ho vždy držte za rukoväť. Ak ho pri prenášaní držíte za nadstavec, vysávač sa môže odpojiť a spôsobiť zranenie.

▲POZOR: Hadicovú spojku nedržte tak, ako je znázornené na obrázku. Pri držaní hadicovej spojky môže dôjsť k príviknutiu prsta.

► **Obr.20:** 1. Hadicová spojka

Používanie ako vysávača

POZNÁMKA: Pred vysávaním odstráňte nadstavec dýchadla. Ak je k vysávaču pripojený nadstavec dýchadla, sací výkon sa zníži.

Montáž a demontáž nadstavca vysávača

Na pripojenie nadstavca, napríklad hubice, otočte nadstavec a pevne ho vložte do hadice. Ak ho chcete demontovať, otočte ho a vytiahnite.

Spôsob montáže sa líši v závislosti od hubíc, ako je znázornené na obrázku.

► **Obr.21:** 1. Hadica 2. Gumená hubica 3. Mäkká kefka 4. Hubica na čalúnenie 5. Hubica na rohožky

Vysávanie

Gumená hubica

Táto hubica je vhodná na čistenie spodných rohov, ako je priehradka vo dverách. Gumová hubica je jemná voči čistiacemu povrchu.

► **Obr.22:** 1. Gumená hubica

Mäkká kefka

Táto hubica je vhodná na čistenie otvorov klimatizácie, palubnej dosky atď. Hlavu mäkkej kefky je možné otočiť do praveho uhla.

► **Obr.23:** 1. Mäkká kefka

Hubica na čalúnenie

Táto hubica má štetinovú kefku na čistenie povrchu sedadla. Bočná kefka na hubici je vhodná na odstraňovanie prachu zo švov.

► **Obr.24:** 1. Hubica na čalúnenie 2. Bočná kefka

Hubica na rohožky

Táto hubica sa používa na čistenie podlahových rohožík a koberec. Zuby na hubici pomáhajú pri odstraňovaní zrniek piesku.

► **Obr.25:** 1. Hubica na rohožky

UPOZORNENIE: Pri vysávaní rohožík vždy použite hubicu na rohožky. Používanie hubice na rohožky na iné materiály môže poškriabať povrch.

Vysávanie bez hubice

Vysávanie môžete vykonávať bez hubice.

► **Obr.26**

Likvidácia prachu

▲POZOR: Vyprázdňte vrecko na prach alebo vymeňte papierový filter ešte predtým, ako sa naplní. V opačnom prípade sa zníži sací/fúkací výkon.

▲POZOR: Pri zatváraní krytu nádoby na prach dávajte pozor, aby ste si neprivreli prsty.

UPOZORNENIE: Zachytávač prachu nikdy nevyhadzujte, pretože sa musí používať vždy pri použití vrecka na prach alebo papierového filtra.

UPOZORNENIE: Ak vo vysávači nie je vrecko na prach/papierový filter, kryt nádoby na prach sa úplne nezavrie. Pri zatváraní krytu nádoby na prach nepoužívajte silu. Mohlo dôjsť k deformácii alebo zlomeniu náradia.

UPOZORNENIE: Pri likvidácii prachu vyčistíte aj priestor na vrecko na prach/papierový filter. Zostávajúci prach a nečistoty v priestore môžu spôsobiť upchatie penového filtra alebo poškodenie motora.

1. Otvorte kryt nádoby na prach.
► **Obr.27:** 1. Kryt nádoby na prach
2. Súčasne spolu vytiahnite oranžový zachytávač prachu aj vrecko na prach/papierový filter.
► **Obr.28:** 1. Zachytávač prachu
3. **Pri používaní vrecka na prach**
Odstráňte zachytávač prachu a vyprázdňte vrecko na prach.
► **Obr.29:** 1. Zachytávač prachu 2. Vrecko na prach

Pri používaní papierového filtra

Odstráňte zachytávač prachu a zlikvidujte papierový filter.

► **Obr.30:** 1. Zachytávač prachu 2. Papierový filter

4. Vložte vrecko na prach/nový papierový filter a zachytávač prachu spoločne do vysávača a zatvorte kryt nádoby na prach.

Používanie ako dýchadla

▲POZOR: Hubicu nikdy nesmerujte na nikoho okolo vás.

▲POZOR: Na zabránenie vdychovaniu prachu sa odporúča otvoriť okná a používať ochranné okuliare a masku.

▲POZOR: Neťahajte za nadstavec dýchadla. Môže sa odpojiť od vysávača.

▲POZOR: Nepoužívajte vysávač na fúkanie vzduchu do predmetov, napríklad na nafukovanie nafukovacích člnov, lôpt a iných nafukovacích premetov. Vysoké otáčky motora môžu spôsobiť nebezpečné zlomenie ventilátora.

Montáž a demontáž nadstavca dýchadla

Ak chcete pripojiť nadstavec dýchadla, zarovnajtie výčnelok v porte nadstavca dýchadla s drážkou v otvore a potom ho zatlačte, aby zacvakol.

► **Obr.31:** 1. Nadstavec dýchadla

Ak chcete odstrániť nadstavec dýchadla, potiahnite prst smerom nadol a súčasne stlačte jeho vrchnú časť, ako je znázornené na obrázku.

► **Obr.32**

Fúkanie

Namierte špičku nadstavca dýchadla na predmet, ktorý chcete ofúkať, a zapnite náradie.

► **Obr.33**

ÚDRŽBA

▲POZOR: Pred vykonaním kontroly alebo údržby vždy skontrolujte, či je nástroj vypnutý a akumulátor je vybitý.

UPOZORNENIE: Nepoužívajte benzín, riedidlo, alkohol ani podobné látky. Mohlo by to spôsobiť zmenu farby, deformácie alebo praskliny.

Ak chcete udržať BEZPEČNOSŤ a BEZPORUCHOVOSŤ výrobku, prenechajte opravy, údržbu a nastavenie na autorizované alebo továrenské servisné centrá Makita, ktoré používajú len náhradné diely značky Makita.

Čistenie

Z času na čas utrite vonkajšie plochy (telo vysávača) pomocou handričky navlhčenej v mydlovej vode.

Vyčistite aj sací otvor, miesto pripavenia vrecka na prach/papierového filtra a zachytávač prachu.

► **Obr.34**

Keď je vrecko na prach zanesené prachom a výkon vysávača slabne, vyperte ho v mydlovej vode. Pred použitím filter dôkladne vysušte. Nedostatočne vysušený filter môže zapríčiniť slabé sanie a skrátiť životnosť motora.

► **Obr.35**

POZNÁMKA: Papierový filter je jednorazového typu.

Keď je penový filter zanesený prachom, vyberte ho z vysávača a utrite ho alebo umyte vodou.

Demontáž a inštalácia penového filtra

▲POZOR: Po vyčistení penového filtra ho nezaobdubnite namontovať na vysávač. Ak ste ho umyli vo vode, pred namontovaním ho vysušte. Nedostatočne vysušený penový filter môže skracovať životnosť motora.

Ak chcete vybrať penový filter, vyberte vrecko na prach alebo papierový filter, potom ho zovrite a vyberte.

► **Obr.36:** 1. Penový filter

Zatlačte celý okraj penového filtra proti stene s výklenkom vnútri miesta pripavenia vrecka na prach/papierového filtra.

► **Obr.37:** 1. Stena s výklenkom

Uskladnenie

VAROVANIE: Nikdy nenechávajte akumulátor ani nabíjačku vo vozidle. Teplota vnútri vozidla, ktoré je zaparkované na slnku, môže prekročiť 50 °C (122 °F). Môže to spôsobiť poškodenie akumulátora, čo môže mať za následok vytekanie kvapaliny, vychádzanie dymu alebo požiar.

► Obr.38

VAROVANIE: Nabíjačku nikdy nepoužívajte v úložnom vrecku. Zablokovanie vetracích otvorom môže mať za následok tvorbu dymu alebo požiar.

► Obr.39

VAROVANIE: Nikdy nenabíjajte akumulátor pomocou meniča vo vozidle. Môže to spôsobiť vznik nadmerného tepla a požiar.

VAROVANIE: Nikdy nenabíjajte akumulátor vo vozidle. Ak je akumulátor vystavený teplotám mimo rozsahu 10 °C (50 °F) až 40 °C (104 °F), môže dôjsť k zohrievaniu a/alebo požiaru alebo výbuchu.

POZOR: Hadicu vždy skladujte tak, ako je znázornené, aby ste predišli zakopnutiu, keď sa vysávač nepoužíva.

O rozvinutú hadicu sa môže zachytiť noha a môže dôjsť k zraneniu.

► Obr.40: 1. Háčik 2. Hadica

Riešenie problémov

Pred žiadosťou o opravu skontrolujte nasledujúce body.

Príznak	Čo treba pozrieť	Spôsob nápravy
Slabý sací výkon	Sú vrecko na prach alebo papierový filter plné prachu?	Vrecko na prach alebo papierový filter vyprázdňte.
	Je vrecko na prach zanesené?	Vrecko na prach vyprášte alebo vyperte.
	Je papierový filter zanesený?	Vymeňte papierový filter.
	Je vybitý akumulátor?	Akumulátor nabite.
Náradie nefunguje	Je vybitý akumulátor?	Akumulátor nabite.
Kryt nádoby na prach sa nezatvorí	Je nasadené vrecko na prach alebo papierový filter?	Nasadte vrecko na prach alebo papierový filter.

POZNÁMKA: Opravu sa nepokúšajte vykonať sami.

VOLITEĽNÉ PRÍSLUŠENSTVO

POZOR: Pre váš nástroj Makita, opísaný v tomto návode, doporučujeme používať toto príslušenstvo a nástavce. Pri použití iného príslušenstva či nástavcov môže hroziť nebezpečenstvo zranenia osôb. Príslušenstvo a nástavce sa môžu používať len na účely pre ne stanovené.

Ak potrebujete bližšie informácie týkajúce sa tohoto príslušenstva, obráťte sa na vaše miestne servisné stredisko firmy Makita.

- Predlžovacia tyč (rovná trubica)
- Hubica
- Hubica na vysávanie kobercov
- Kečka na vysávanie políc
- Rohová hubica
- Okrúhla kečka
- Ohybná hadica
- Papierový filter
- Samostatná hubica
- Hubica na čalúnenie
- Štrbinová hubica
- Cyklónový nástavec
- Vrecko na prach

- Vysoko účinné vrecko na prach
- Mäkké vrecko
- Originálna batéria a nabíjačka Makita

POZNÁMKA: Niektoré položky zo zoznamu môžu byť súčasťou balenia nástrojov vo forme štandardného príslušenstva. Rozsah týchto položiek môže byť v každej krajine odlišný.

VAROVÁNÍ

Zařízení mohou používat děti od 8 let a osoby s omezenými fyzickými, smyslovými či duševními schopnostmi nebo s nedostatečnými zkušenostmi a znalostmi, jestliže jsou pod dohledem nebo pokud byly ohledně bezpečného používání výrobku poučeny a rozumí souvisejícím rizikům. Nedovolte dětem, aby si se zařízením hrály. Čištění a uživatelskou údržbu nesmějí provádět děti bez dozoru.

SPECIFIKACE

Model:	CL121D	
Kapacita	s vakem na prach	500 ml
	s papírovým filtrem	330 ml
Opakované použití (s akumulátorem BL1016)	1 (Režim normálních otáček)	Přibližně 25 min
	2 (Režim vysokých otáček)	Přibližně 12 min
	3 (Režim maximálních otáček)	Přibližně 10 min
Celková délka (s akumulátorem BL1016)	345 mm	
Jmenovité napětí	Max. 10,8 – 12 V DC	
Čistá hmotnost	1,7 – 1,8 kg	

- Vzhledem k neustálému výzkumu a vývoji zde uvedené technické údaje podléhají změnám bez upozornění.
- Specifikace se mohou pro různé země lišit.
- Uvedená hmotnost nezahrnuje příslušenství kromě akumulátorů. Tabulka uvádí nejlehčí a nejtěžší kombinace zařízení a akumulátorů.

Použitelný akumulátor a nabíječka

Akumulátor	BL1015 / BL1016 / BL1020B / BL1021B / BL1040B / BL1041B
Nabíječka	DC10SA / DC10SB / DC10WC / DC10WD / DC18RE

- V závislosti na regionu vašeho bydliště nemusí být některé akumulátory a nabíječky k dispozici.

VAROVÁNÍ: Používejte pouze výše uvedené akumulátory a nabíječky. Použití jiných akumulátorů a nabíječek může způsobit zranění a/nebo požár.

Symby

Níže jsou uvedeny symboly, se kterými se můžete při použití nářadí setkat. Je důležité, abyste dříve, než s ním začnete pracovat, pochopili jejich význam.



Přečtěte si návod k obsluze.



Pouze pro země EU
Elektrické zařízení ani akumulátor neuklidujte současně s domovním odpadem! Vzhledem k dodržování evropských směrnic o odpadních elektrických a elektronických zařízeních a směrnice o bateriích, akumulátorech a odpadních bateriích a akumulátorech s jejich implementací v souladu s národními zákony musí být elektrická zařízení, baterie a akumulátory po skončení životnosti odděleně shromážděny a předány do ekologicky kompatibilního recyklačního zařízení.

Účel použití

Nástroj je určen k vysávání suchého prachu.

BEZPEČNOSTNÍ VÝSTRAHY

Bezpečnostní varování k akumulátorovému vysavači

VAROVÁNÍ: DŮLEŽITÉ: PŘED POUŽITÍM SI POZORNĚ PŘEČTĚTE veškeré bezpečnostní výstrahy a všechny pokyny. Zanedbání výstrah a pokynů může mít za následek úraz elektrickým proudem, vznik požáru nebo vážné zranění.

1. Nevystavujte zařízení dešti. Skladujte ve vnitřních prostorách.
2. Nedovoďte, aby si se zařízením hrály děti. Při používání dětmi nebo v jejich blízkosti je vyžadována zvýšená pozornost.
3. Se zařízením pracujte pouze v souladu s touto příručkou. Používejte pouze nástavce doporučené výrobcem.
4. Přístroj nepoužívejte s poškozeným akumulátorem. Jestliže zařízení nepracuje správně, upadlo, bylo poškozeno, ponecháno venku nebo spadlo do vody, předejte je k opravě v servisním středisku.
5. Se zařízením nemanipulujte mokřýma rukama.
6. Nevkládejte žádné předměty do otvorů. S vysavačem nepracujte, pokud je nějaký otvor zablokován – otvory udržujte v čistotě od prachu, chuchvalců, vlasů a všech nečistot, jež by mohly bránit průchodu vzduchu.
7. Vlasy, volný oděv, prsty a žádné části těla nepřibližujte k otvorům a pohyblivým částem.
8. Před vyjmutím akumulátoru vypněte všechny ovládací prvky.
9. Zvláště opatrní buďte při práci na schodech.
10. Přístroj nepoužívejte k vysávání hořlavých či zápalných kapalin, například benzínu, a nepracujte v místech, kde se tyto látky mohou vyskytovat.
11. K nabíjení používejte pouze nabíječku doporučenou výrobcem.
12. Nevysávejte nic hořícího či doutnajícího, například cigarety, zápalky ani horký popel.
13. Nepoužívejte bez vaku na prach nebo filtrů.
14. Nenabíjejte akumulátor venku.
15. Nabíjení provádějte pouze pomocí nabíječky určené výrobcem. Nabíječka vhodná pro jeden typ akumulátoru může při použití s jiným akumulátorem vést ke vzniku nebezpečí požáru.
16. Elektrické nářadí používejte pouze s určenými akumulátory. Použití jiných akumulátorů může vyvolat nebezpečí zranění a požáru.
17. Není-li akumulátor používán, uložte jej v místě bez kovových předmětů, jimiž jsou například kancelářské spunky, mince, klíče, hřebíky, šrouby či jiné drobné kovové předměty, jež by mohly spojit kontakty.
18. Při hrubém zacházení může z akumulátoru uniknout elektrolyt. Vyvarujte se styku s ním. Pokud dojde k náhodnému kontaktu, omyjte zasažené místo vodou.

19. **Nepoužívejte poškozený nebo upravený akumulátor nebo nářadí.** U poškozených nebo upravených akumulátorů může dojít k neočekávanému chování, které může mít za následek požár, výbuch nebo riziko poranění.
20. **Akumulátor nebo nářadí nevystavujte ohni nebo vysokým teplotám.** Při vystavení záru ohně nebo teplotám nad 130 °C může dojít k výbuchu.
21. **Postupujte dle nabíjecích pokynů a akumulátor nebo nářadí nenabíjejte mimo teplotní rozsah specifikovaný v pokynech.** Nesprávné nabíjení při teplotách mimo stanovený rozsah může poškodit akumulátor a zvýšit riziko požáru.

TYTO POKYNY USCHOVEJTE.

DOPLŇKOVÁ BEZPEČNOSTNÍ PRAVIDLA

Toto zařízení je určeno k použití v domácnosti.

1. Před použitím si pozorně přečtěte tento návod k obsluze a návod k obsluze nabíječky.
2. Nevysávejte následující materiály:
 - Žhavé materiály jako hořící cigarety, jiskry nebo kovový prach vznikající při broušení či řezání kovu
 - Hořlavé materiály jako benzín, ředidlo, benzen, petrolej či barvy
 - Výbušné materiály jako nitroglycerin
 - Zápalné materiály jako hliník, zinek, kamenné, magnezium, titan, fosfor či celuloid
 - Vlhké nečistoty, vodu, olej apod
 - Tvrdé střepy s ostrými hranami, například dřevěné třísky, kovové, kamenné a skleněné odštěpky, hřebíky, špendlíky, holicí čepelky
 - Tvrdnoucí prach, například cement či toner
 - Vodivý prach, například kovový či uhelný
 - Jemné částice, například betonový prachTakový postup může způsobit požár, zranění či škody na majetku.
3. Pokud si během provozu povšimnete čehokoliv neobvyklého, přerušete okamžitě práci.
4. Pokud vysavač upustíte nebo do něho silně bouchnete, zkontrolujte před použitím, zda nedošlo k jeho poškození.
5. Udržujte jej v bezpečné vzdálenosti od sporáků a jiných zdrojů tepla.
6. Neblokujte nasávací otvor a větrací otvory.

TYTO POKYNY USCHOVEJTE.

Důležitá bezpečnostní upozornění pro akumulátor

1. Před použitím akumulátoru si přečtěte všechny pokyny a varovné symboly na (1) nabíječce, (2) akumulátoru a (3) výrobku využívajícím akumulátor.
2. Akumulátor nerozebírejte.
3. Pokud se příliš zkrátí provozní doba akumulátoru, přerušete okamžitě práci. V opačném případě existuje riziko přehřívání, popálení nebo dokonce výbuchu.

4. Budou-li vaše oči zasaženy elektrolytem, vypláchněte je čistou vodou a okamžitě vyhledejte lékařskou pomoc. Může dojít ke ztrátě zraku.
5. Akumulátor nezkratujte:
 - (1) Nedotýkejte se svorek žádným vodivým materiálem.
 - (2) Neskladujte akumulátor v nádobě s jinými kovovými předměty, jako jsou hřebíky, mince, apod.
 - (3) Nevystavuje akumulátor vodě a dešti.

Zkrat akumulátoru může způsobit velký průtok proudu, přehřátí, možné popálení a dokonce i poruchu.

6. Neskladujte nářadí a akumulátor na místech, kde může teplota překročit 50 °C (122 °F).
7. Nespalujte akumulátor, ani když je vážně poškozen nebo úplně opotřeben. Akumulátor může v ohni vybuchnout.
8. Dávejte pozor, abyste akumulátor neupustili ani s ním nenarazili.
9. Nepoužívejte poškozené akumulátory.
10. Obsažené lithium-iontové akumulátory podléhají právním požadavkům na nebezpečné zboží.

V případě komerční přepravy například externími dopravci je třeba dodržet zvláštní požadavky na balení a značení.

Pro přípravu zboží k přepravě je nutná konzultace s odborníkem na nebezpečný materiál. Dodržujte také případné podrobnější národní předpisy.

Odkryté kontakty přelepte izolační páskou či jinak zakryjte a akumulátory zabalte tak, aby se v balení nemohly pohybovat.

11. Při likvidaci akumulátoru postupujte podle místních předpisů.
12. Akumulátor používejte pouze s výrobky specifikovanými společností Makita. Instalace akumulátoru do nevyhovujících výrobků může způsobit požár, nadměrné zahřívání, explozi nebo únik elektrolytu.

TYTO POKYNY USCHOVEJTE.

▲ UPOZORNĚNÍ: Používejte pouze originální akumulátory Makita. Používání neoriginálních nebo upravených akumulátorů může způsobit explozi akumulátoru a následný požár, zranění a jiné poškození. Zaniká tím také záruka společnosti Makita na nářadí a nabíječku Makita.

Tipy k zajištění maximální životnosti akumulátoru

1. Akumulátor nabíjte dříve, než dojde k jeho úplnému vybití. Pokud si povšimnete sníženého výkonu nářadí, vždy jej zastavte a dobijte akumulátor.
2. Nikdy nenabíjete úplně nabitý akumulátor. Přebíjení zkracuje životnost akumulátoru.
3. Akumulátor dobíjete při pokojové teplotě od 10 °C do 40 °C (50 °F až 104 °F). Před nabíjením nechte horký akumulátor zchladnout.

POPIS FUNKCÍ

▲ UPOZORNĚNÍ: Před nastavováním nářadí nebo kontrolou jeho funkce se vždy přesvědčte, zda je vypnuté a je vyjmutý akumulátor.

▲ UPOZORNĚNÍ: Dejte pozor, abyste si při nasazování akumulátoru nepřiskřípli prsty mezi vysavač a akumulátor. Přiskřípnutí prstů může způsobit zranění.

Nasazení a sejmutí akumulátoru

▲ UPOZORNĚNÍ: Před nasazením či sejmutím akumulátoru nářadí vždy vypněte.

▲ UPOZORNĚNÍ: Při nasazování či snímání akumulátoru pevně držte nářadí i akumulátor. V opačném případě vám může nářadí nebo akumulátor vyklouznout z rukou a mohlo by dojít k jejich poškození či ke zranění.

- **Obr.1:** 1. Červený indikátor 2. Tlačítko 3. Akumulátor

Chcete-li akumulátor sejmout, vysuňte jej se současným přesunutím tlačítka na přední straně akumulátoru.

Při nasazování akumulátoru vyrovnějte jazýček na bloku akumulátoru s drážkou v krytu a zasuňte akumulátor na místo. Akumulátor zasuňte na doraz, až zacvakne na své místo. Není-li tlačítko zcela zajištěno, uvidíte na jeho horní straně červený indikátor.

▲ UPOZORNĚNÍ: Akumulátor zasuňte vždy zcela tak, aby nebyl červený indikátor vidět. Jinak by mohl akumulátor ze zařízení vypadnout a způsobit zranění obsluze či přihlížejícím osobám.

▲ UPOZORNĚNÍ: Akumulátor nenasazujte násilím. Ne lze-li akumulátor zasunout snadno, nevkládáte jej správně.

System ochrany nářadí a akumulátoru

Nářadí je vybaveno systémem ochrany nářadí a akumulátoru. Tento systém automaticky přeruší napájení motoru, aby se prodloužila životnost nářadí a akumulátoru.

Budou-li nářadí nebo akumulátor vystaveny některé z níže uvedených podmínek, nářadí se během provozu automaticky vypne. Za určitých podmínek se rozsvítí kontrolka.

- **Obr.2:** 1. Kontrolka

Ochrana proti přetížení

Pokud se s nářadím pracuje způsobem vyvolávajícím mimořádně vysoký odběr proudu, nářadí se automaticky vypne a kontrolka bude blikat po dobu 60 sekund. V takové situaci nářadí vypněte a ukončete činnost, při níž došlo k přetížení nářadí. Potom nářadí zapněte a obnovte činnost.

Ochrana proti přehřátí

Pokud je nářadí/akumulátor přehřátý, automaticky se zastaví a kontrolka akumulátoru bude asi 60 sekund svítit. Nářadí se nespustí, i když je zapnuto. V takovém případě nechte akumulátor před opětovným zapnutím nářadí vychladnout.

Ochrana před přílišným vybitím

Při nízké zbývající kapacitě akumulátoru začne kontrolka blikat. V případě dalšího používání se nářadí zastaví a kontrolka akumulátoru bude asi 60 sekund svítit. Po spuštění nářadí se motor znovu rozeběhne, avšak brzy se zastaví. V takovém případě dobijte akumulátor.









POZNÁMKA: Doba, kdy začne kontrolka svítit, závisí na teplotě na pracovišti a stavu akumulátoru.

Indikace zbývající kapacity akumulátoru

Pouze pro akumulátory s diodovým ukazatelem

► **Obr.3:** 1. Kontrolky 2. Tlačítko kontroly

Stisknutím tlačítka kontroly na akumulátoru zjistíte zbývající kapacitu akumulátoru. Kontrolky indikátoru se na několik sekund rozsvítí.

Kontrolky		Zbývající kapacita
Svítil	Nesvítil	
		75 % až 100 %
		50 % až 75 %
		25 % až 50 %
		0 % až 25 %

POZNÁMKA: Kapacita udávaná indikátorem se může mírně lišit od skutečné kapacity v závislosti na podmínkách používání a teplotě prostředí.

Používání spouště

► **Obr.4:** 1. Tlačítko zapnutí / volby otáček 2. Tlačítko vypnutí

Vysavač spustíte jednoduše stisknutím tlačítka zapnutí / volby otáček. Vypnutí provedete stisknutím tlačítka vypnutí.

Otáčky vysavače můžete měnit ve třech krocích tlačítkem zapnutí / volby otáček.

Prvním stisknutím tlačítka se spouští režim vysokých otáček, druhým stisknutím režim maximálních otáček a třetím stisknutím režim normálních otáček. Každým stisknutím tlačítka se střídavě opakuje cyklus vysokých, maximálních a normálních otáček.

SESTAVENÍ

! UPOZORNĚNÍ: Před prováděním jakýchkoli prací na nářadí se vždy přesvědčte, zda je vypnuté a je vyjmutý akumulátor.

Vak na prach a papírový filtr

Před používáním vysavače nainstalujte vak na prach nebo papírový filtr zpět.

Prachové víko používejte s vakem na prach i papírovým filtrem.

Vak na prach lze po vyčištění použít opakovaně.

Papírový filtr je určen jen k jednomu použití. Po jeho naplnění vyhodte celý papírový filtr bez vysypávání.

POZOR: Aby do motoru nevnikl prach:

- Před použitím vysavače zkontrolujte, zda je nainstalován vak na prach nebo papírový filtr.
- Zasuňte prachové víko společně s vakem na prach nebo papírovým filtrem zcela do drážek v tělese vysavače.
- Nepoužívejte poškozený nebo protržený vak.

Jinak by mohlo dojít k poškození motoru.

POZOR: Při instalaci papírového filtru nepřehýbejte lepenkovou část u otvoru.

POZOR: Nikdy nevyhazujte prachové víko – je nutné jej vždy používat s vakem na prach i papírovým filtrem.

POZOR: Papírový filtr vysavače je důležitý pro zachování výkonu vysavače. Použití jiných než originálních papírových filtrů může vyvolat kouř nebo požár.

Instalace vaku na prach

Při instalaci vaku na prach použijte prachové víko.

Dávejte pozor, abyste nezaměnili horní a dolní stranu, protože se od sebe liší.

► **Obr.5:** 1. Horní strana prachového víka 2. Dolní strana prachového víka

1. Zasuňte výstupek vaku na prach do drážky v prachovém víku podle obrázku.

Vak na prach nerozlišuje horní nebo dolní stranu. Do drážky prachového víka můžete zasunout libovolný výstupek na vaku na prach.

► **Obr.6:** 1. Prachové víko 2. Drážka 3. Vak na prach

2. Nasaďte záchytku prachového víka na vak na prach.
► **Obr.7**

3. Vložte prachové víko a vak na prach do prostoru vysavače ve směru šipky na prachovém víku. Zasuňte je zcela do drážek v prostoru vysavače.

► **Obr.8:** 1. Štěrbiná

4. Vložte celou textilní část vaku na prach do vysavače.
► **Obr.9**

5. Kryt příhrádky na prach zcela zavřete.

► **Obr.10:** 1. Kryt příhrádka na prach

POZNÁMKA: Není-li do vysavače vložen vak na prach, příhrádka na prach se zcela neuzavře.

Instalace papírového filtru

Prachové víko použijte také při instalaci papírového filtru. Dávejte pozor, abyste nezaměnili horní a dolní stranu, protože se od sebe liší.

► **Obr.11:** 1. Horní strana prachového víka 2. Dolní strana prachového víka

1. Před nasazením papírového filtru na prachové víko rozevřete vstupní otvor filtru.

► **Obr.12**

2. Zasuňte výstupek papírového filtru do drážky v prachovém víku podle obrázku.

U papírového filtru se nerozlišuje horní nebo dolní strana. Do drážky prachového víka můžete zasunout libovolný výstupek na vaku na prach.

► **Obr.13:** 1. Prachové víko 2. Drážka 3. Papírový filtr

3. Nasaďte záchytku prachového víka na papírový filtr.

► **Obr.14**

4. Vložte prachové víko a papírový filtr do prostoru vysavače ve směru šipky na prachovém víku. Zasuňte jej zcela do drážek v prostoru vysavače.

► **Obr.15:** 1. Štěrbina

5. Vložte celou sběrnou část papírového filtru do vysavače.

► **Obr.16**

6. Kryt příhrádky na prach zcela zavřete.

► **Obr.17:** 1. Kryt příhrádka na prach

POZNÁMKA: Není-li do vysavače vložen papírový filtr, příhrádka na prach se zcela neuzavře.

Montáž ramenního popruhu

⚠ UPOZORNĚNÍ: Dávejte pozor, aby se ramenní popruh nezachytil za předměty v okolí.

⚠ UPOZORNĚNÍ: Při používání vysavače dávejte pozor, aby vám ramenní popruh nesklouzl z ramene. Pro pevné držení vysavače se doporučuje nosit ramenní popruh natažený křížem přes hrud.

Podle obrázku připevněte háčky ramenního popruhu k výstupkům na vysavači.

► **Obr.18:** 1. Ramenní popruh 2. Háček 3. Výstupek

POZNÁMKA: Ramenní popruh můžete také přimontovat k měkkému vaku (volitelné příslušenství) dle obrázku.

► **Obr.19:** 1. Ramenní popruh 2. Měkký vak

PRÁCE S NÁŘADÍM

⚠ UPOZORNĚNÍ: Při přenášení vysavače vždy uchopte držadlo. Jestliže byste k přenášení použili nástavcovou část, mohla by se odpojit od vysavače, což by mohlo způsobit zranění.

⚠ UPOZORNĚNÍ: Nechtejte za hadicovou spojku, viz obrázek. Držení hadicové spojky může způsobit skřípnutí prstů.

► **Obr.20:** 1. Hadicová spojka

Používání jako vysavače

POZNÁMKA: Před vysáváním odmontujte nástavec ofukovače. Je-li nástavec ofukovače připevněn k vysavači, bude sací výkon menší.

Montáž a demontáž nástavce k vysávání

Chcete-li připojit příslušenství, například hubici, otočte jím a pevně zasuňte do hadice. Při rozpojování trubici otáčejte a vytahujte ji.

Způsob montáže se liší v závislosti na typu hubic, viz obrázek.

► **Obr.21:** 1. Hadice 2. Pryžová hubice 3. Měkký kartáč 4. Hubice na sedačky 5. Hubice na koberec

Vysávání

Pryžová hubice

Tato hubice je vhodná k čištění spodních rohů, například kapsy dveří. Pryžová hubice je vhodná k jemnému čištění povrchů.

► **Obr.22:** 1. Pryžová hubice

Měkký kartáč

Tato hubice je vhodná k čištění ventilačních otvorů klimatizačních jednotek, palubní desky automobilu atd. Hlavici měkkého kartáče lze otočit do pravého úhlu.

► **Obr.23:** 1. Měkký kartáč

Hubice na sedačky

Tato hubice má textilní kartáč, který slouží k čištění povrchů sedaček. Boční kartáč na hubici je vhodný k odstraňování prachu ze švů.

► **Obr.24:** 1. Hubice na sedačky 2. Boční kartáč

Hubice na koberec

Tato hubice slouží k čištění koberců a rohoží. Zoubky na hubici pomáhají s odstraňováním pevných částic.

► **Obr.25:** 1. Hubice na koberec

POZOR: K čištění koberce vždy používejte hubici na koberec. Pokud hubici na koberec použijete na jiné materiály, můžete poškrábat jejich povrch.

Vysávání bez hubice

Vysávání lze provádět bez hubice.

► **Obr.26**

Vysypávání prachu

⚠ UPOZORNĚNÍ: Vyprázdňte vak na prach nebo vyměňte papírový filtr ještě dříve, než se naplní či zanese. Jestliže tak neučiníte, sací/ofukovací síla se sníží.

⚠ UPOZORNĚNÍ: Při zavírání příhrádky na prach dávejte pozor, abyste si nepřiskřípli prsty.

POZOR: Nikdy nevyhazujte prachové víko – je nutné ho vždy používat s vakem na prach nebo papírovým filtrem.

POZOR: Není-li do vysavače vložen vak na prach/papírový filtr, přihrádka na prach se zcela neuzavře. Nesnažte se přihrádku na prach zavřít silou. Mohlo by to vést k poškození nebo deformaci nářadí.

POZOR: Při vysypávání prachu rovněž očistěte prostor pro vak na prach a papírový filtr. Zbývající prach a nečistoty v tomto prostoru mohou způsobit zanesení pěnového filtru nebo poškození elektromotoru.

1. Otevřete přihrádku na prach.
► **Obr.27:** 1. Kryt přihrádka na prach
2. Vytáhněte současně oranžové prachové víko a vak na prach/papírový filtr.
► **Obr.28:** 1. Prachové víko
3. **Při používání vaku na prach**
Odstraňte prachové víko a vyprázdněte vak na prach.
► **Obr.29:** 1. Prachové víko 2. Vak na prach

Při použití papírového filtru

Odstraňte prachové víko a zlikvidujte papírový filtr.

► **Obr.30:** 1. Prachové víko 2. Papírový filtr

4. Umístěte vak na prach/nový papírový filtr společně s prachovým víkem do vysavače a zavřete přihrádku na prach.

Používání pro ofukování

▲UPOZORNĚNÍ: Nikdy nemiřte ústím na nikoho v blízkosti.

▲UPOZORNĚNÍ: Abyste se vyhnuli vdechnutí prachu, doporučujeme během provozu otevřít okna a také použít ochranné brýle a masku.

▲UPOZORNĚNÍ: Netahejte za nástavec ofukovače. Mohl by se z vysavače uvolnit.

▲UPOZORNĚNÍ: Nepoužívejte vysavač na nafukování předmětů, jako jsou gumové člny, míče nebo jiné nafukovací výrobky. Zvýšené otáčky motoru mohou způsobit nebezpečné poškození ventilátoru.

Montáž a demontáž nástavce ofukovače

Chcete-li namontovat nástavec ofukovače, srovnějte výstupek na konektoru nástavce ofukovače s drážkou na otvoru a poté nástavec zatlačte, dokud se nezacvakne.

► **Obr.31:** 1. Nástavec ofukovače

Chcete-li nástavec ofukovače demontovat, zatáhněte konektor směrem dolů a přitom tlačte na jeho vršek, dle obrázku.

► **Obr.32**

Ofukování

Namiřte konec nástavce ofukovače na předmět, který chcete ofuknout, a zapněte nářadí.

► **Obr.33**

ÚDRŽBA

▲UPOZORNĚNÍ: Před zahájením kontroly nebo údržby nářadí se vždy ujistěte, zda je vypnuté a je vyjmut akumulátor.

POZOR: Nikdy nepoužívejte benzín, benzen, ředidlo, alkohol či podobné prostředky. Mohlo by tak dojít ke změnám barvy, deformacím či vzniku prasklin.

K zachování BEZPEČNOSTI a SPOLEHLIVOSTI výrobku musí být opravy a veškerá další údržba či seřizování prováděny autorizovanými nebo továrními servisními středisky společnosti Makita s využitím náhradních dílů Makita.

Čištění

Vnější část vysavače (tělo vysavače) pravidelně otírejte hadříkem navlhčeným v mýdlové vodě.

Čistěte také sací otvor, prostor pro vak na prach / papírový filtr a prachové víko.

► **Obr.34**

Jestliže je vak na prach ucpaný prachem a výkon vysavače se sníží, vyperte ho v mýdlové vodě. Před použitím ho nechte řádně oschnout. Nedostatečně vysušený filtr může oslabit sací výkon a zkrátit životnost motoru.

► **Obr.35**

POZNÁMKA: Papírový filtr je určen jen k jednomu použití.

Dojde-li k zanesení pěnového filtru prachem, vyjměte jej z vysavače a otřete nebo omyjte ve vodě.

Vyjmutí a vložení pěnového filtru

▲UPOZORNĚNÍ: Po očištění pěnový filtr znovu vložte do vysavače. Pokud jste jej myli ve vodě, nechte jej před vložením oschnout. Používání nedostatečně vysušeného filtru může mít za následek zkrácení životnosti motoru.

Chcete-li vyjmout pěnový filtr, vyjměte vak na prach nebo papírový filtr, stiskněte jej a vytáhněte.

► **Obr.36:** 1. Pěnový filtr

Zatlačte celý okraj pěnového filtru do zapuštěné stěny v prostoru pro instalaci vaku na prach / papírového filtru.

► **Obr.37:** 1. Zapuštěná stěna

Skladování

▲VAROVÁNÍ: Nikdy neponechávejte akumulátor a nabíječku ve vozidle. Teplota uvnitř vozidla může přesáhnout 50 °C (122 °F). To může způsobit poškození akumulátoru a následný únik kapaliny, kouř nebo požár.

► **Obr.38**

▲VAROVÁNÍ: Nikdy nepoužívejte nabíječku, když je stále ve skladovacím vaku. Blokování ventilačních otvorů může způsobit kouř nebo požár.

► **Obr.39**

VAROVÁNÍ: Nikdy nenabíjejte akumulátor pomocí invertoru ve vozidle. Může to způsobit abnormální zahřátí a následně požár.

VAROVÁNÍ: Nikdy nenabíjejte akumulátor ve vozidle. Je-li akumulátor vystaven teplotě mimo rozsah 10 °C (50 °F) – 40 °C (104 °F), může se příliš zahřát a/nebo způsobit požár či explozi.

UPOZORNĚNÍ: Jestliže se vysavač nepoužívá, uložte hadici vždy podle obrázku, aby o ni nikdo nemohl zakopnout.

Neuskladněná hadice může zachytit vaši nohu a způsobit zranění.

► **Obr.40:** 1. Háček 2. Hadice

Odstraňování problémů

Než požádáte o opravu, zkontrolujte následující body.

Príznak	Cíl kontroly	Způsob nápravy
Slabý sací výkon	Nejví vak na prach nebo papírový filtr plný prachu?	Vyprázdňte vak na prach nebo papírový filtr.
	Nejví ucpaný vak na prach?	Vyprašte nebo vyperte vak na prach.
	Nejví ucpaný papírový filtr?	Vyměňte papírový filtr.
	Nejví akumulátor vybitý?	Nabijte blok akumulátoru.
Zařízení nepracuje	Nejví akumulátor vybitý?	Nabijte blok akumulátoru.
Přihrádka na prach nejví zavřít	Je vložen vak na prach nebo papírový filtr?	Vložte vak na prach nebo papírový filtr.

POZNÁMKA: Nepokoušejte se opravovat vysavač sami.

VOLITELNÉ PŘÍSLUŠENSTVÍ

UPOZORNĚNÍ: Pro nářadí Makita popsané v tomto návodu doporučujeme používat následující příslušenství a nástavce. Při použití jiného příslušenství či nástavců může hrozit nebezpečí zranění osob. Příslušenství lze používat pouze pro stanovené účely.

Potřebujete-li bližší informace ohledně tohoto příslušenství, obraťte se na místní servisní středisko společnosti Makita.

- Prodlužovací nástavec (rovná trubice)
- Hubice
- Hubice na koberec
- Kartáčová hubice
- Rohová hubice
- Hubice s kulatým kartáčem
- Pružná hadice
- Papírový filtr
- Volná hubice
- Hubice na sedačky
- Hubice na spáry
- Cyklonový nástavec
- Vak na prach
- Vak na prach pro vysoký výkon
- Měkký vak
- Originální akumulátor a nabíječka Makita

POZNÁMKA: Některé položky seznamu mohou být k nářadí přibaleny jako standardní příslušenství. Přibalené příslušenství se může v různých zemích lišit.

ПОПЕРЕДЖЕННЯ

Цей прилад дозволяється використовувати дітям віком від 8 років або старше, а також особам з обмеженими фізичними, сенсорними або розумовими здібностями та особам з недостатнім досвідом і знаннями, якщо за ними встановлений нагляд або їм були надані інструкції стосовно безпечного використання цього приладу та вони усвідомлюють потенційну небезпеку від його використання. Дітям не дозволяється грати з цим приладом. Дітям не дозволяється виконувати чищення або проводити технічне обслуговування приладу без нагляду дорослих.

ТЕХНІЧНІ ХАРАКТЕРИСТИКИ

Модель:		CL121D
Ємність	з мішком для пилу	500 мл
	з паперовим фільтром	330 мл
Тривалість використання (з акумулятором BL1016)	1 (режим нормальної швидкості)	Близько 25 хв
	2 (режим високої швидкості)	Близько 12 хв
	3 (режим максимальної швидкості)	Близько 10 хв
Загальна довжина (з акумулятором BL1016)		345 мм
Номінальна напруга		10,8 — 12 В пост. струму
Маса нетто		1,7 – 1,8 кг

- Оскільки наша програма наукових досліджень і розробок триває безперервно, наведені тут технічні характеристики можуть бути змінені без попередження.
- У різних країнах технічні характеристики можуть бути різними.
- Вага не включає жодних додаткових приладів, окрім касети (касет) з акумулятором. Найменша або найбільша комбінація ваги пристрою та касети (касет) з акумулятором наведені в таблиці.

Застосовна касета з акумулятором і зарядний пристрій

Касета з акумулятором	BL1015 / BL1016 / BL1020B / BL1021B / BL1040B / BL1041B
Зарядний пристрій	DC10SA / DC10SB / DC10WC / DC10WD / DC18RE

- Деякі касети з акумулятором і зарядні пристрої, які вказано вище, можуть бути недоступними залежно від вашого регіону або місця перебування.

▲ ПОПЕРЕДЖЕННЯ: Використовуйте лише касети з акумулятором і зарядні пристрої, перелічені вище. Використання будь-яких інших касет з акумулятором і зарядних пристроїв може призвести до травмування й/або пожежі.

Символи

Далі наведено символи, які застосовуються для позначення обладнання. Перед користуванням переконайтеся, що ви розумієте їхнє значення.



Читайте посібник з експлуатації.



Тільки для країн ЄС
Не викидайте електроприлади або акумуляторні батареї разом із побутовим сміттям! Згідно з європейськими директивами про утилізацію електричного та електронного обладнання та про утилізацію батарей і акумуляторів, а також батарей та акумуляторів, термін служби яких закінчився, та їх використанням із дотриманням національних законів, електричне обладнання, батареї та акумулятори, термін служби яких закінчився, потрібно збирати окремо та відправляти на екологічно чисті підприємства з їхньої переробки.

Призначення

Інструмент призначено для збирання сухого пилю.

ПОПЕРЕДЖЕННЯ ПРО ДОТРИМАННЯ ТЕХНІКИ БЕЗПЕКИ

Попередження про необхідну обережність під час роботи з бездротовим пилюсосом

▲ ПОПЕРЕДЖЕННЯ: ВАЖЛИВО!

ПРОЧИТАЙТЕ УВАЖНО всі попередження про необхідну обережність під час роботи та всі інструкції **ПЕРЕД** ВИКОРИСТАННЯМ.

Недотримання попереджень та інструкцій може призвести до ураження електричним струмом, до виникнення пожежі та/або до отримання серйозних травм.

1. Не залишайте інструмент під дощем. Зберігайте у приміщенні.
2. Не допускайте, щоб з цим приладом гралися діти. Потрібно бути пильним, якщо інструмент використовується дітьми або поблизу від них.
3. Використовуйте лише у відповідності з цією інструкцією. Використовуйте лише допоміжне обладнання, яке рекомендоване виробником.
4. Не використовуйте, якщо акумулятор пошкоджений. Якщо прилад не працює належним чином, його впустили, пошкодили, залишили під дощем або зронили у воду, його слід відправити до сервісного центру.
5. Не торкайтеся приладу мокрими руками.
6. Не встромляйте жодних предметів у отвори. Не використовуйте прилад із заблокованими отворами; не допускайте їх блокування пилом, пухом, волоссям або будь-чим, що може послабити потік повітря.
7. Слідкуйте, щоб волосся, просторий одяг, а також пальці та інші частини тіла не потрапили до отворів та рухомих частин приладу.
8. Перед зніманням акумулятора вимикайте всі елементи керування.
9. Будьте особливо обережні під час прибирання на сходах.
10. Уникайте потрапляння на прилад займих тих або пальних рідин, наприклад бензину, та не використовуйте прилад в місцях їх застосування.
11. Для перезаряджання акумулятора використовуйте тільки зарядний пристрій, що постачається виробником.
12. Уникайте контакту приладу з будь-якими речовинами та предметами, що горять або димлять, наприклад цигарками, сірниками або гарячим попелом.
13. Не використовуйте без мішка для пилю і (або) встановлених фільтрів.
14. Перезаряджайте акумулятор тільки в приміщенні.
15. Перезаряджайте акумулятор лише за допомогою зарядного пристрою, вказаного виробником. Зарядний пристрій, який підходить для одного типу акумуляторів, може призвести до пожежі при використанні з акумулятором іншого типу.
16. Використовуйте електроінструменти лише за акумуляторами того типу, який призначений саме для цих електроінструментів. Використання акумуляторів інших типів може призвести до отримання травм і виникнення пожежі.
17. Коли акумулятор не використовується, тримайте його подалі від таких металевих предметів, що можуть закортити клеми акумулятора, наприклад скріпок, монет, ключів, цвяхів, гвинтів тощо.
18. За неналежних умов зберігання з акумулятора може витекти рідина, контакту з якою слід уникати. У разі випадкового потрапляння рідини на тіло уражену частину необхідно промити водою.
19. Не користуйтеся акумулятором або інструментом, які було змінено чи пошкоджено. Експлуатація акумуляторів, що їх було пошкоджено або до конструкції яких було внесено зміни, може бути небезпечною і може спричинити пожежу, вибух або травму.
20. Не піддавайте акумулятор або інструмент впливу вогню чи надмірної температури. Вплив вогню або температури вище 130° C може спричинити вибух.
21. Дотримуйтеся усіх вказівок із заряджання й не заряджайте акумулятор або інструмент за температури за межами зазначеного в інструкції діапазону. Неправильне заряджання або заряджання за межами вказаного температурного діапазону може призвести до пошкодження акумулятора і підвищити небезпеку займання.

ЗБЕРІГАЙТЕ ЦІ ВКАЗІВКИ.

ДОДАТКОВІ ПРАВИЛА БЕЗПЕКИ

Цей прилад призначений тільки для побутового використання.

1. Перед використанням уважно прочитайте цю інструкцію, а також інструкцію до зарядного пристрою.
2. Уникайте таких речовин та предметів, як:
 - гарячі речовини та предмети, наприклад запалені цигарки або іскри й металевий пил, що утворюються під час шліфування або різання металу
 - пальні речовини, наприклад газолін, розчинники, бензин, гас або фарби
 - вибухові речовини, наприклад нітрогліцерин

- займісті речовини, наприклад алюміній, цинк, магній, титан, фосфор або целулоїд
 - вологий бруд, вода, мастило та подібні речовини
 - тверді предмети з гострими кутами, наприклад тріска, метали, каміння, скло, цвяхи, шпильки або бритви
 - порошок або грудки, наприклад цемент або тонер
 - електропровідний пил, наприклад металевий або вугільний
 - дрібні частки, наприклад бетонний пил.
- У протилежному випадку це може призвести до пожежі, травми та (або) пошкодження майна.
3. Негайно зупиніть інструмент, якщо помітите відхилення в його роботі.
 4. Якщо ви впустили або вдарили пиლოსос, перед подальшим використанням його слід ретельно оглянути на наявність тріщин або пошкоджень.
 5. Заборонено підносити інструмент близько до кухонних плит або інших джерел тепла.
 6. Заборонено блокувати забірний або вентиляційні отвори.

ЗБЕРІГАЙТЕ ЦІ ВКАЗІВКИ.

Важливі інструкції з безпеки для касети з акумулятором

1. Перед тим як користуватися касетою з акумулятором, слід прочитати всі інструкції та застережні знаки щодо (1) зарядного пристрою акумулятора, (2) акумулятора та (3) виробів, що працюють від акумулятора.
2. Не слід розбирати касету з акумулятором.
3. Якщо період роботи дуже покоротшав, слід негайно припинити користування. Це може призвести до виникнення ризику перегріву, опіку та навіть вибуху.
4. У разі потраплення електроліту в очі слід промити їх чистою водою та негайно звернутися до лікаря. Це може призвести до втрати зору.
5. Не закоротіть касету з акумулятором.
 - (1) Не слід торкатися клем будь-яким струмопровідним матеріалом.
 - (2) Не слід зберігати касету з акумулятором у ємності з іншими металевими предметами, такими як цвяхи, монети тощо.
 - (3) Не залишайте касету з акумулятором під дощем, запобігайте контакту з водою.

Коротке замикання може призвести до появи значного струму, перегріву, можливих опіків та навіть виходу з ладу.
6. Не слід зберігати інструмент та касету з акумулятором в місцях, де температура може сягнути чи перевищити 50°C (122°F).

7. Не слід спалювати касету з акумулятором, навіть якщо вона була неодноразово пошкоджена або повністю спрацьована. Касета з акумулятором може вибухнути у вогні.
8. Не слід кидати або ударяти акумулятор.
9. Не слід використовувати пошкоджений акумулятор.
10. Літій-іонні акумулятори, що містяться в інструменті, мають відповідати вимогам законів про небезпечні товари. Під час транспортування за допомогою комерційних перевезень, наприклад із залученням третьої сторони та експедиторів, необхідно дотримуватись особливих вимог, вказаних на пакуванні й у маркуванні. Під час підготування позиції до відправлення необхідно проконсультуватись зі спеціалістом з небезпечних матеріалів. Крім того, слід виконувати більш докладні національні настанови, якщо такі є. Заклейте відкриті контакти стрічкою або заховайте їх і запакуйте акумулятор таким чином, щоб він не міг рухатися в пакуванні.
11. Дотримуйтеся норм місцевого законодавства щодо утилізації акумуляторів.
12. Використовуйте акумулятори лише з виробами, указаними компанією Makita. Установлення акумуляторів у невідповідні виробки може призвести до пожежі, надмірного нагрівання, вибуху чи витoku електроліту.

ЗБЕРІГАЙТЕ ЦІ ВКАЗІВКИ.

⚠ОБЕРЕЖНО: Використовуйте тільки акумулятори Makita. Використання акумуляторів, інших ніж оригінальні акумулятори Makita, або акумуляторів, конструкцію яких було змінено, може призвести до вибуху акумулятора і спричинити пожежу, травму або пошкодження. У зв'язку з цим також буде анульовано гарантію Makita на інструмент Makita і на зарядний пристрій.

Поради з забезпечення максимального строку експлуатації акумулятора

1. Касету з акумулятором слід заряджати до того, як він розрядиться повністю. Завжди слід зупинити роботу інструмента та зарядити акумулятор, якщо ви помітили зменшення потужності інструмента.
2. Ніколи не слід заряджати повторно повністю заряджену касету з акумулятором. Перезарядження скорочує строк експлуатації акумулятора.
3. Заряджайте касету з акумулятором при кімнатній температурі 10°C—40°C (50°F—104°F). Перед тим як заряджати касету з акумулятором, слід зачекати, доки вона охолоне.

ОПИС РОБОТИ

⚠ОБЕРЕЖНО: Обов'язково переконайтеся, що прилад вимкнено, а касету з акумулятором знято, перед регулюванням або перевіркою функціонування інструмента.

⚠ОБЕРЕЖНО: Заряджаючи касету з акумулятором, будьте обережні, щоб не затиснути пальці між пілососом і акумулятором. Защемлення пальців може призвести до травм.

Встановлення та зняття касети з акумулятором

⚠ОБЕРЕЖНО: Завжди вимикайте інструмент перед встановленням або зняттям касети з акумулятором.

⚠ОБЕРЕЖНО: Під час встановлення або зняття касети з акумулятором слід міцно тримати інструмент та касету з акумулятором. Якщо ви утримуватимете інструмент та касету з акумулятором недостатньо міцно, вони можуть вислизнути з рук, що може призвести до пошкодження інструмента та касети з акумулятором або може спричинити травми.

► **Рис. 1:** 1. Червоний індикатор 2. Кнопка 3. Касета з акумулятором

Щоб зняти касету з акумулятором, слід витягнути її з інструмента, натиснувши на кнопку в передній частині касети.

Щоб установити касету з акумулятором, слід сумістити виступ на касеті з акумулятором із пазом у корпусі та вставити касету на місце. Її необхідно вставити повністю, аж доки не почуєте клацання. Якщо на верхній частині кнопки помітний червоний індикатор, це означає, що касета з акумулятором установлена не до кінця.

⚠ОБЕРЕЖНО: Завжди вставляйте касету з акумулятором повністю, аж поки червоний індикатор стане невидимим. Якщо цього не зробити, касета може випадково випасти з інструмента та завдати травми вам або людям, що знаходяться поряд.

⚠ОБЕРЕЖНО: Не встановлюйте касету з акумулятором із зусиллям. Якщо касета не вставляється легко, то це означає, що ви її неправильно вставляєте.

Система захисту інструмента/акумулятора

Інструмент оснащено системою захисту інструмента/акумулятора. Ця система автоматично вимикає живлення двигуна з метою збільшення терміну служби інструмента та акумулятора.

Інструмент буде автоматично вимкнено під час роботи, якщо він чи акумулятор перебуватимуть у вказаних далі умовах. За певних умов засвічується індикаторна лампа.

► **Рис.2:** 1. Індикаторна лампа

Захист від перевантаження

У разі роботи в режимі, за якого споживання струму стає надмірним, інструмент автоматично зупиниться, а індикатор блиматиме приблизно протягом 60 секунд. У такому разі вимкніть інструмент і припиніть роботу, під час виконання якої інструмент зазнав перевантаження. Щоб перезапустити інструмент, увімкніть його знову.

Захист від перегрівання

У разі перегрівання інструмента чи акумулятора інструмент автоматично зупиняється, а індикатор акумулятора загоряється приблизно на 60 секунд. Інструмент не запуститься, навіть якщо ви вимкнете й увімкнете його знову. У такому разі зачекайте, доки акумулятор охолоне, перш ніж знову вимкати інструмент.

Захист від надмірного розрядження

За низького заряду акумулятора починає блимати індикатор. У разі подальшого використання інструмент зупиняється, а індикатор світиться приблизно протягом 60 секунд. Якщо ввімкнути інструмент, двигун запуститься, проте незабаром зупиниться. У такому разі необхідно зарядити касету з акумулятором.

ПРИМІТКА: Час, через який вмикається індикатор, залежить від температури на робочому місці й від стану касети з акумулятором.

Відображення залишкового заряду акумулятора

Тільки для касет з акумулятором, які мають індикатори

► **Рис.3:** 1. Індикаторні лампи 2. Кнопка перевірки
Натисніть кнопку перевірки на касеті з акумулятором для відображення залишкового ресурсу акумулятора. Індикаторні лампи загоряться на кілька секунд.

Індикаторні лампи		Залишковий ресурс
Горить	Вимкнено	
■	□	від 75 до 100%
■ ■ ■ ■	□	від 50 до 75%
■ ■ □ □	□ □	від 25 до 50%
■ □ □ □	□ □ □ □	від 0 до 25%

ПРИМІТКА: Залежно від умов використання та температури оточуючого середовища показання можуть незначним чином відрізнятись від дійсного ресурсу.

Дія вимикача

- **Рис.4:** 1. Кнопка ввімкнення / зміни швидкості
2. Кнопка вимкнення

Для того щоб запустити пиросос, просто натисніть кнопку ввімкнення / зміни швидкості. Щоб вимкнути інструмент, натисніть кнопку вимкнення.

Швидкість пирососа змінюється в три кроки натисканням кнопки ввімкнення / зміни швидкості.

При першому натисканні цієї кнопки вмикається режим високої швидкості, при другому — режим максимальної швидкості, а при третьому — режим нормальної швидкості. Кожне натискання на цю кнопку по черзі перемикає швидкість між високою, максимальною та низькою.

ЗБОРКА

⚠ ОБЕРЕЖНО: Обов'язково переконайтеся, що прилад вимкнено, а касету з акумулятором знято, перш ніж проводити будь-які роботи з інструментом.

Мішок для пилу та паперовий фільтр

Перед використанням пирососа встановіть мішок для пилу або паперовий фільтр.

Під час установлення мішка для пилу або паперового пакета використовуйте пилову заслінку.

Мішок для пилу можна використовувати багаторазово, очищаючи його від пилу.

Паперовий фільтр призначено для одноразового використання. Коли паперовий фільтр наповнюється, його слід викинути цілком без спорожнення.

УВАГА: Для запобігання потрапляння пилу в двигун:

- перед використанням завжди перевіряйте наявність мішка для пилу або паперового фільтра;
- уставляйте пилову заслінку разом з мішком для пилу або паперовим фільтром у пази повністю;
- не використовуйте пошкоджені або порвані мішки.

Недотримання цих вимог може призвести до пошкодження двигуна.

УВАГА: Не складайте картон біля отвору під час установлення паперового фільтра.

УВАГА: Заборонено викидати пилову заслінку, оскільки її необхідно завжди використовувати повторно з мішком для пилу або паперовим фільтром.

УВАГА: Паперовий фільтр для пирососа є важливим компонентом, який допомагає підтримувати робочі характеристики пристрою на високому рівні. Використання неоригінального паперового фільтра може призвести до появи диму або до займання.

Установлення мішка для пилу

Під час установлення мішка для пилу слід використовувати заслінку для пилу. Слід бути обережним, щоб не переплутати верхню частину з нижньою, оскільки вони відрізняються.

- **Рис.5:** 1. Верхня частина пилової заслінки
2. Нижня частина пилової заслінки

1. Вставте мішок для пилу виступом у паз на пиловій заслінці, як показано на рисунку.

Верхня й нижня частини мішка для пилу однакові. Виступ можна вставляти будь-якою частиною в паз пилової заслінки.

- **Рис.6:** 1. Пилова заслінка 2. Паз 3. Мішок для пилу

2. Слід накласти раму пилової заслінки на раму мішка для пилу.

- **Рис.7**

3. Установіть пилову заслінку та мішок для пилу разом у порожнину пирососа відповідно до напрямку, вказаного стрілкою на заслінці. Повністю вставте їх у пази в порожнині пирососа.

- **Рис.8:** 1. Канавка

4. Повністю розташуйте тканинну частину мішка для пилу всередині пирососа.

- **Рис.9**

5. Повністю закрийте кришку пилозахисного кожуха.

- **Рис.10:** 1. Кришка пилозахисного кожуха

ПРИМІТКА: Якщо мішок для пилу не встановлено в пиросос, кришка пилозахисного кожуха не закриється повністю.

Установлення паперового фільтра

Під час установлення паперового фільтра слід також використовувати заслінку для пилу. Слід бути обережним, щоб не переплутати верхню частину з нижньою, оскільки вони відрізняються.

- **Рис.11:** 1. Верхня частина пилової заслінки
2. Нижня частина пилової заслінки

1. Розгорніть вхідну частину фільтра перед його встановленням на пилову заслінку.

- **Рис.12**

2. Вставте виступ на паперовому фільтрі в паз на пиловій заслінці, як показано на рисунку.

Між верхньою й нижньою частинами паперового фільтра немає різниці. Виступ можна вставляти будь-якою частиною в паз пилової заслінки.

- **Рис.13:** 1. Пилова заслінка 2. Паз 3. Паперовий фільтр

3. Накладіть раму пилової заслінки на раму паперового фільтра.

- **Рис.14**

4. Установіть пилову заслінку та паперовий фільтр разом у порожнину пирососа відповідно до напрямку, вказаного стрілкою на заслінці. Повністю вставте їх у пази в порожнині пирососа.

- **Рис.15:** 1. Канавка

5. Повністю розташуйте частину паперового фільтра для вмісту пилу всередині інструмента.

- **Рис.16**

6. Повністю закрийте кришку пилозахисного кожуха.

► Рис.17: 1. Кришка пилозахисного кожуха

ПРИМІТКА: Якщо паперовий фільтр не встановлено в пило-сос, кришка пилозахисного кожуха не закриється повністю.

Під'єднання плечового ременя

⚠ОБЕРЕЖНО: Стежте за тим, щоб плечовий ремінь не зачепився за навколишні предмети.

⚠ОБЕРЕЖНО: Стежте за тим, щоб плечовий ремінь не зіскочив із плеча під час використання пиłosоса. Для надійної фіксації пиłosоса рекомен-дується надягати плечовий ремінь через плече.

Під'єднайте гачки плечового ременя до кріплень на пиłosосі, як показано на малюнку.

► Рис.18: 1. Плечовий ремінь 2. Гачок 3. Кріплення

ПРИМІТКА: Ви можете також пристебнути плечо-вий ремінь до м'якої сумки (додатковий аксесуар), як показано на рисунку.

► Рис.19: 1. Плечовий ремінь 2. М'яка сумка

РОБОТА

⚠ОБЕРЕЖНО: Під час переміщення пило-соса тримайтеся за ручку. Якщо під час перемі-щення триматися за насадку, вона може зіскочити з пиłosоса й спричинити травму.

⚠ОБЕРЕЖНО: Не беріться за з'єднання шланга, як показано на рисунку. Це може приве-сти до затиснення пальців.

► Рис.20: 1. З'єднання шланга

Використання як пиłosоса

ПРИМІТКА: Видаліть повітродувку перед початком при-бирання пиłosосом. Якщо повітродувку встановлено на пиłosос, потужність усмоктування може знизитися.

Установлення або видалення насадки пиłosоса

Для під'єднання аксесуара, наприклад насадки, поверніть його та вставте в шланг до повної фіксації. Для від'єднання поверніть її та зніміть.

Спосіб установлення залежить від насадок (пока-зано на рисунку).

► Рис.21: 1. Шланг 2. Гумова насадка 3. М'яка щітка 4. Насадка для очищення сидіння 5. Щітка для килимків

Очищення пиłosосом

Гумова насадка

Цією насадкою зручно очищати кути вниз, напри-клад у дверній рамі. Гумова насадка призначена для делікатного очищення поверхні.

► Рис.22: 1. Гумова насадка

М'яка щітка

Цією насадкою зручно очищати вентиляційні отвори кондиціонерів, панель приладів тощо. Головку м'якої щітки можна повертати під прямим кутом.

► Рис.23: 1. М'яка щітка

Насадка для очищення сидіння

У цій насадці є щітка для ворсу, яка призначена для очищення сидінь. Бічною щіткою на насадці зручно видаляти пил зі швів.

► Рис.24: 1. Насадка для очищення сидіння 2. Бокова щітка

Щітка для килимків

Ця насадка призначена для очищення килимків для підлоги й килимів. Зубчики на насадці допомагають збирати піщинки.

► Рис.25: 1. Щітка для килимків

УВАГА: Для очищення килимків використо-вуйте насадку для килимків. Використання насадки для килимків для очищення іншого мате-ріалу може привести до появи подряпин на його поверхні.

Чищення без штуцера

Очищення пиłosосом можна виконувати без викори-стання насадки.

► Рис.26

Видалення пилу

⚠ОБЕРЕЖНО: Спорожнюйте мішок для пилу або замінійте паперовий фільтр до того, як він повністю заповниться. У іншому випадку потужність усмоктування/обдування знизиться.

⚠ОБЕРЕЖНО: Закриваючи кришку пилозахис-ного кожуха, стежте за тим, щоб не затиснути пальці.

УВАГА: Заборонено викидати пилову заслінку, оскільки її необхідно завжди використовувати з мішком для пилу або паперовим фільтром.

УВАГА: Якщо мішок для пилу / паперовий фільтр не встановлено в пиłosос, кришка пило-захисного кожуха не закриється повністю. Не застосовуйте надмірних зусиль під час закриття кришки пилозахисного кожуха. Це може приве-сти до деформації або поломки інструмента.

УВАГА: Під час очищення від пилу не забудьте очистити відсік для мішка для пилу / паперового фільтра. Пил і бруд, що залишилися у відсіку, можуть призвести до засмічення губчас-того фільтра або пошкодження двигуна.

1. Відкрийте кришку пилозахисного кожуха.

► Рис.27: 1. Кришка пилозахисного кожуха

2. Витягніть одночасно жовтогогарячу пилову заслінку й мішок для пилу / паперовий фільтр.

► Рис.28: 1. Пилова заслінка

3. Під час використання мішка для пилу

Видаліть пилову заслінку й спорожніть мішок для пилу.

► Рис.29: 1. Пилова заслінка 2. Мішок для пилу

Під час використання паперового фільтра

Видаліть пилову заслінку й спорожніть паперовий фільтр.

► **Рис.30:** 1. Пилова заслінка 2. Паперовий фільтр

4. Установіть мішок для пилу / новий паперовий фільтр і пилову заслінку в пилосос та закрийте кришку пилозахисного кожуха.

Використання як повітродувки

⚠ОБЕРЕЖНО: Не спрямовуйте вихідний отвір на людей, які перебувають поруч.

⚠ОБЕРЕЖНО: Щоб не допустити вдихання пилу, рекомендується відкривати вікна, а також надягати захисні окуляри та маску під час роботи.

⚠ОБЕРЕЖНО: Не тягніть за насадку повітродувки. Вона може зіскочити з пилососа.

⚠ОБЕРЕЖНО: Не використовуйте пилосос для накачування предметів, наприклад надувних плотів, м'ячів або інших надувних виробів. Підвищення частоти обертання двигуна може призвести до небезпечної поломки вентилятора.

Установлення або видалення насадки повітродувки

Для установлення насадки повітродувки сумістіть виступ у гнізді насадки з пазом на вентиляційному отворі й натисніть до клацання.

► **Рис.31:** 1. Насадка повітродувки

Для видалення насадки повітродувки натисніть у місці з'єднання вниз, вставляючи верхню частину, як показано на рисунку.

► **Рис.32**

Обдування

Направте кінець насадки на предмет, який необхідно обдути, і ввімкніть інструмент.

► **Рис.33**

ТЕХНІЧНЕ ОБСЛУГОВУВАННЯ

⚠ОБЕРЕЖНО: Перед здійсненням перевірки або обслуговування завжди перевіряйте, щоб інструмент був вимкнений, а касета з акумулятором була знята.

УВАГА: Ніколи не використовуйте газолін, бензин, розріджувач, спирт та подібні речовини. Їх використання може призвести до зміни кольору, деформації або появи тріщин.

Для забезпечення БЕЗПЕКИ та НАДІЙНОСТІ продукції, її ремонт, а також роботи з обслуговування або регулювання повинні виконуватись уповноваженими або заводськими сервісними центрами Makita із використанням запчастин виробництва компанії Makita.

Чистка

Слід періодично протирати зовнішню поверхню (корпус) пилососа ганчіркою, зволоженою мильною водою.

Слід також вичищати отвір усмокткування, ділянку встановлення мішка для пилу / паперового фільтра та пилову заслінку.

► **Рис.34**

Коли мішок для пилу засмічується й потужність пилососа зменшується, фільтр слід вимити в мильній воді. Перед використанням його слід ретельно висушити. Недостатньо висушений фільтр може спричинити послаблення всмокткування й скорочення терміну служби двигуна.

► **Рис.35**

ПРИМІТКА: Паперовий фільтр призначено для одноразового використання.

Коли губчатий фільтр засмічується пилом, його слід зняти з пилососа та витерти або вимити у воді.

Зняття й установлення губчатого фільтра

⚠ОБЕРЕЖНО: Після чищення губчатого фільтра його слід обов'язково встановити на пилосос. У разі промивання водою його слід просушити перед установленням. Недостатньо просушений губчатий фільтр може скоротити термін служби двигуна.

Для того щоб зняти губчатий фільтр, слід зняти мішок для пилу або паперовий фільтр, а потім зашинути й витягнути його.

► **Рис.36:** 1. Губчатий фільтр

Утисніть увесь край губчатого фільтра в западину на внутрішній стінці на ділянці встановлення мішка для пилу / паперового фільтра.

► **Рис.37:** 1. Стінка із западиною

Зберігання

⚠ПОПЕРЕДЖЕННЯ: Не залишайте касету з акумулятором і зарядним пристроєм в автомобілі. Температура всередині автомобіля, який перебуває на сонці, може перевищувати 50 °C (122 °F). Це може спричинити пошкодження касети з акумулятором і призвести до вилиття рідини, виділення диму або займання.

► **Рис.38**

⚠ПОПЕРЕДЖЕННЯ: Не використовуйте зарядний пристрій, не вийнявши його з мішка для зберігання. Блокування вентиляційного отвору може призвести до виділення диму або займання.

► **Рис.39**

⚠ПОПЕРЕДЖЕННЯ: Не заряджайте касету з акумулятором інвертором, який є в автомобілі. Це може привести до перегрівання й займання.

⚠ПОПЕРЕДЖЕННЯ: Не заряджайте касету з акумулятором в автомобілі. Якщо касета з акумулятором піддаватиметься дії температури в діапазоні від 10 °C (50 °F) до 40 °C (104 °F), це може призвести до виділення тепла та/або займання чи вибуху.

⚠ОБЕРЕЖНО: Щоб не перечепитися через шланг, зберігайте його таким чином, як показано на рисунку, коли пилосос не використовується.

Ви можете зачепитися ногою за нескладений шланг, що приведе до травмування.

► **Рис.40:** 1. Гачок 2. Шланг

Усунення несправностей

Перш ніж здавати прилад до ремонту, слід перевірити такі моменти.

Ознака	Ділянка, яку слід обстежити	Спосіб усунення несправності
Слабка сила всмоктування	Чи накопився пил у мішку для пилу або паперовому фільтрі?	Спорозніть мішок для пилу або паперовий фільтр.
	Чи засмічений мішок для пилу?	Витрусіть пил з мішка для пилу або виперіть його.
	Чи засмічений паперовий фільтр?	Замініть паперовий фільтр.
	Чи розряджений акумулятор?	Зарядіть акумулятор.
Пристрій не працює	Чи розряджений акумулятор?	Зарядіть акумулятор.
Кришка пилозахисного кожуха не закривається	Переконайтеся в тому, що мішок для пилу або паперовий фільтр встановлено.	Установіть мішок для пилу або паперовий фільтр.

ПРИМІТКА: Не намагайтеся відремонтувати пилосос самотужки.

ДОДАТКОВЕ ПРИЛАДДЯ

⚠ОБЕРЕЖНО: Це додаткове та допоміжне обладнання рекомендовано використовувати з інструментом Makita, зазначеним у цій інструкції з експлуатації. Використання будь-якого іншого додаткового та допоміжного обладнання може становити небезпеку травмування. Використовуйте додаткове та допоміжне обладнання лише за призначенням.

У разі необхідності отримати допомогу в більш детальному ознайомленні з оснащенням звертайтеся до місцевого сервісного центру Makita.

- Подовжувач (пряма труба)
- Штуцер
- Штуцер для килима
- Щітка для полиць
- Кутовий штуцер
- Кругла щітка
- Гнучкий шланг
- Паперовий фільтр
- Вільний штуцер
- Насадка для очищення сидіння
- Сопло для чищення щілин
- Циклонний упловлювач
- Мішок для пилу
- Мішок для пилу підвищеної місткості
- М'яка сумка
- Оригінальний акумулятор та зарядний пристрій Makita

ПРИМІТКА: Деякі елементи списку можуть входити до комплекту інструмента як стандартне приладдя. Вони можуть відрізнятись залежно від країни.

AVERTIZARE

Acest aparat poate fi utilizat de copiii cu vârsta de cel puțin 8 ani și de persoanele cu capacități fizice, senzoriale sau mentale reduse, sau lipsite de experiență și cunoștințe doar dacă sunt supravegheate sau au fost instruite cu privire la utilizarea aparatului în siguranță și înțeleg pericolele implicate. Copiii nu au voie să folosească acest aparat ca jucărie. Curățarea și întreținerea nu vor fi efectuate de copii nesupravegheați.

SPECIFICAȚII

Model:		CL121D
Capacitate	cu un sac de praf	500 ml
	cu un filtru de hârtie	330 ml
Utilizare continuă (cu baterie BL1016)	1 (Mod viteză normală)	Aprox. 25 min
	2 (Mod viteză ridicată)	Aprox. 12 min
	3 (Mod viteză max.)	Aprox. 10 min
Lungime totală (cu acumulator BL1016)		345 mm
Tensiune nominală		10,8 V - 12 V cc. max
Greutate netă		1,7 - 1,8 kg

- Datorită programului nostru continuu de cercetare și dezvoltare, specificațiile pot fi modificate fără o notificare prealabilă.
- Specificațiile pot varia în funcție de țară.
- Greutatea nu include accesoriile, ci cartușul(ele) acumulatorului. Greutatea combinată cea mai mică și cea mai mare a aparatului și cartușului(elor) acumulatorului sunt prezentate în tabel.

Cartușul acumulatorului și încărcătorul aplicabile

Cartușul acumulatorului	BL1015 / BL1016 / BL1020B / BL1021B / BL1040B / BL1041B
Încărcător	DC10SA / DC10SB / DC10WC / DC10WD / DC18RE

- Este posibil ca unele cartușe ale acumulatorilor și încărcătoare menționate mai sus să nu fie disponibile în funcție de regiunea dvs. de reședință.

AVERTIZARE: Utilizați numai cartușele de acumulator și încărcătoarele enumerate mai sus. Utilizarea oricăror altor cartușe de acumulator și încărcătoare poate duce la rănire și/sau incendiu.

Simboluri

Mai jos sunt prezentate simbolurile de pe echipament. Asigurați-vă că înțelegeți sensul acestora înainte de utilizare.



Citiți manualul de utilizare.



Doar pentru țările din cadrul UE
Nu aruncați aparatele electrice sau acumulatorii în gunoier menajer! În conformitate cu Directiva europeană privind deșeurile de echipamente electrice și electronice, bateriile și acumulatorii, precum și bateriile și acumulatorii reziduale și implementarea acestora conform legislației naționale, echipamentele electrice și bateriile și acumulatorii care au ajuns la sfârșitul duratei de viață trebuie colectate separat și reciclate corespunzător în vederea protejării mediului.

Destinația de utilizare

Acest aparat este destinat colectării prafului uscat.

AVERTIZĂRI DE SIGURANȚĂ

Avertismente privind siguranța pentru aspiratorul cu acumulator

⚠️ AVERTIZARE: IMPORTANT CITIȚI CU ATENȚIE toate avertizările de siguranță și toate instrucțiunile ÎNAINTE DE UTILIZARE. Nerespectarea acestor avertismente și instrucțiuni poate avea ca rezultat electrocutarea, incendiul și/sau rănirea gravă.

1. Nu expuneți la ploaie. Depozitați în spații interioare.
2. Nu permiteți utilizarea acestuia ca jucărie. Acordați atenție utilizării acestuia de către copii sau în apropierea copiilor.
3. Utilizați doar în modul descris în acest manual. Utilizați doar accesoriile recomandate de producător.
4. Nu folosiți cu un acumulator uzat. În cazul în care aparatul nu funcționează corespunzător, a suferit șocuri, este deteriorat, a fost depozitat în exterior sau a fost scăpat în apă, returnați-l la un centru de service.
5. Nu manipulați aparatul cu mâinile umede.
6. Nu introduceți obiecte în orificii. A nu se utiliza cu orificiile blocate; ferii de praf, scame, păr și orice alte materiale care pot obstrucționa fluxul de aer.
7. Nu vă apropiați părul, hainele largi, degetele și celelalte părți ale corpului de deschideri și de piesele mobile.
8. Dezactivați toate comenzile înainte de a scoate acumulatorul.
9. Acordați atenție specială la curățarea pe trepte.
10. Nu utilizați la colectarea unor lichide inflamabile sau combustibile, cum ar fi benzina și nu utilizați în zone în care acestea ar putea fi prezente.
11. Utilizați doar încărcătorul furnizat de producător pentru reîncărcare.
12. Nu colectați obiecte care ard sau fumează, cum ar fi țigări, chibrituri sau cenușă fierbinte.
13. Nu utilizați fără sac de praf și/sau filtre montate.
14. Nu încărcați acumulatorul în exterior.
15. Efectuați reîncărcarea numai cu încărcătorul specificat de producător. Un încărcător adecvat pentru un anumit tip de acumulator poate prezenta risc de incendiu dacă este utilizat cu alt tip de acumulator.
16. Folosiți mașinile electrice numai cu acumulatorul special destinat acestora. Utilizarea altor acumulatori poate prezenta risc de rănire și de incendiu.
17. Când nu folosiți acumulatorul, țineți-l la distanță de obiecte metalice precum agrafe de birou, monede, chei, cuie, șuruburi sau alte obiecte metalice mici, ce pot constitui o legătură între cele două borne.
18. În condiții extreme, lichidul poate fi eliminat din acumulator; evitați contactul cu acesta. Dacă intrați în contact accidental, clătiți bine cu apă zona afectată.
19. Nu utilizați un acumulator sau o unealtă care este avariată sau modificată. Bateriile avariate sau modificate pot prezenta comportament imprevizibil ce poate cauza incendii, explozii sau risc de rănire.

20. Nu expuneți un acumulator sau o unealtă la foc sau la temperaturi excesive. Expunerea la foc sau la temperaturi mai mari de 130 °C poate cauza explozii.
21. Urmați toate instrucțiunile de încărcare și nu încărcați acumulatorul sau unealta la temperaturi din afara intervalului specificat în instrucțiuni. Încărcarea incorectă sau la temperaturi din afara intervalului specificat poate cauza deteriorarea bateriei și creșterea riscului de incendiu.

PĂSTRAȚI ACESTE INSTRUCȚIUNI.

NORME SUPLIMENTARE DE SECURITATE

Acest aparat este destinat doar uzului casnic.

1. Înainte de utilizare, citiți cu atenție acest manual de instrucțiuni și manualul de instrucțiuni al încărcătorului.
2. Nu aspirați următoarele materiale:
 - Materiale fierbinți, precum țigări aprinse sau praf provenit de la scânteii/metal generat de șlefuirea/tăierea metalului
 - Materiale inflamabile precum petrol, diluant, benzină, kerosen sau vopsea
 - Materiale explosive, cum ar fi nitroglicerina
 - Materiale inflamabile, precum aluminiu, zinc, magneziu, titan, fosfor sau celuloid
 - Murdărie umedă, apă, ulei sau alte lichide
 - Obiecte dure cu margini ascuțite, precum așchii de lemn, metale, pietre, sticlă, cuie, ace sau lame
 - Pudră care formează cheag, precum ciment sau toner
 - Praf conductiv, precum praful de metal sau carbon
 - Particule fine, precum praful de beton
3. O astfel de acțiune poate cauza incendii, accidente și/sau daune.
3. Întrerupeți lucrul imediat dacă observați orice anomalie.
4. Dacă scăpați pe jos sau loviți aspiratorul, înainte de utilizare verificați-l cu atenție în privința fisurării sau deteriorării.
5. Nu țineți în apropierea sobelor sau a altor surse de căldură.
6. Nu obturați orificiile de admisie sau de ventilație.

PĂSTRAȚI ACESTE INSTRUCȚIUNI.

Instrucțiuni importante privind siguranța pentru cartușul acumulatorului

1. Înainte de a folosi cartușul acumulatorului, citiți toate instrucțiunile și atenționările de pe (1) încărcătorul acumulatorului, (2) acumulator și (3) produsul care folosește acumulatorul.
2. Nu dezmembrați cartușul acumulatorului.
3. Dacă timpul de funcționare s-a redus excesiv, întrerupeți imediat funcționarea. Aceasta poate prezenta risc de supraîncălzire, posibile arsuri și chiar explozie.
4. Dacă electrolitul pătrunde în ochi, clătiți bine ochii cu apă curată și consultați imediat un medic. Există risc de orbire.

5. **Nu scurtcircuitați cartușul acumulatorului:**
 - (1) Nu atingeți bornele cu niciun material conductor.
 - (2) Evitați depozitarea cartușului acumulatorului la un loc cu alte obiecte metalice cum ar fi cuie, monede etc.
 - (3) Nu expuneți cartușul acumulatorului la apă sau ploaie.

Un scurtcircuit al acumulatorului poate provoca un flux puternic de curent electric, supraîncălzire, posibile arsuri și chiar defectarea mașinii.
6. **Nu depozitați mașina și cartușul acumulatorului în spații în care temperatura poate atinge sau depăși 50 °C (122 °F).**
7. **Nu incinerati cartușul acumulatorului chiar dacă acesta este grav deteriorat sau complet uzat. Cartușul acumulatorului poate exploda în foc.**
8. **Aveți grijă să nu scăpați sau să loviți acumulatorul.**
9. **Nu utilizați un acumulator deteriorat.**
10. **Acumulatorii Li-Ion încorporați se supun cerințelor Legislației privind substanțele periculoase.** Pentru transporturi comerciale, efectuate de exemplu de către părți terțe, expeditori, trebuie respectate cerințele speciale de ambalare și etichetare. Pentru pregătirea articolului care urmează să fie expediat, este necesară consultarea unui expert în materiale periculoase. Vă rugăm să respectați, de asemenea, reglementările naționale, care pot fi mai detaliate. Izolați sau acoperiți contactele deschise și împachetați acumulatorul în așa fel încât să nu se poată mișca în ambalaj.
11. **Respectați normele naționale privind eliminarea la deșeurii a acumulatorului.**
12. **Utilizați acumulatorii numai cu produsele specificate de Makita. Instalarea acumulatorilor în produse neconforme poate cauza incendii, căldură excesivă, explozii sau scurgeri de electrolit.**

PĂSTRAȚI ACESTE INSTRUCȚIUNI.

ATENȚIE: Folosiți numai acumulatori Makita originali. Acumulatorii Makita care nu sunt originali și acumulatorii care au suferit modificări se pot aprinde, provocând incendii, leziuni corporale și daune. De asemenea, anulează garanția oferită de Makita pentru unealta și încărcătorul Makita.

Sfaturi pentru obținerea unei durate maxime de exploatare a acumulatorului

1. **Încărcați cartușul acumulatorului înainte de a se descărca complet. Întrerupeți întotdeauna funcționarea mașinii și încărcați cartușul acumulatorului când observați o scădere a puterii mașinii.**
2. **Nu reîncărcați niciodată un acumulator complet încărcat. Supraîncărcarea va scurta durata de exploatare a acumulatorului.**
3. **Încărcați cartușul acumulatorului la temperatura camerei, între 10 °C - 40 °C (50 °F - 104 °F). Lăsați un acumulator fierbinte să se răcească înainte de a-l încărca.**

DESCRIEREA FUNCȚIILOR

ATENȚIE: Asigurați-vă întotdeauna că mașina este oprită și cartușul acumulatorului este scos înainte de a ajusta sau verifica funcționarea mașinii.

ATENȚIE: Aveți grijă ca la încărcarea acumulatorului să nu vă prindeți degetul(ele) între aspirator și acumulator. Prinderea degetului(elor) poate provoca vătămări.

Instalarea sau scoaterea cartușului acumulatorului

ATENȚIE: Opriți întotdeauna mașina înainte de montarea sau demontarea cartușului de acumulator.

ATENȚIE: Țineți ferm mașina și cartușul acumulatorului la montarea sau demontarea cartușului. În cazul în care nu țineți ferm mașina și cartușul de acumulator, acestea vă pot aluneca din mâini, rezultând defectarea mașinii și cartușului de acumulator, precum și în accidentări personale.

► **Fig.1:** 1. Indicator roșu 2. Buton 3. Cartușul acumulatorului

Pentru a scoate cartușul acumulatorului, glisați-l din mașină în timp ce glisați butonul de pe partea frontală a cartușului.

Pentru a instala cartușul acumulatorului, aliniați limba de pe cartușul acumulatorului cu canelura din carcasă și introduceți-l în locaș. Introduceți-l complet, până când se încliquează în locaș. Dacă puteți vedea indicatorul roșu din partea superioară a butonului, acesta nu este blocat complet.

ATENȚIE: Instalați întotdeauna cartușul acumulatorului complet, până când indicatorul roșu nu mai este vizibil. În caz contrar, acesta poate cădea accidental din mașină provocând rănirea dumneavoastră sau a persoanelor din jur.

ATENȚIE: Nu forțați cartușul acumulatorului la montare. Dacă acesta nu glisează ușor, înseamnă că a fost introdus incorect.

Sistem de protecție mașină/acumulator

Mașina este prevăzută cu un sistem de protecție mașină/acumulator. Sistemul întrerupe automat alimentarea motorului pentru a extinde durata de viață a mașinii și acumulatorului.

Mașina se va opri automat în timpul funcționării când mașina sau acumulatorul se află într-una din situațiile următoare. În unele situații, lampa indicatoare luminează.

► **Fig.2:** 1. Lampă indicatoare

Protecție la suprasarcină

Când mașina este utilizată într-un mod care cauzează un consum de curent neobișnuit de ridicat, aceasta se va opri automat și indicatorul luminează aproximativ 60 de secunde. În această situație, opriți mașina și întrerupeți aplicația care a dus la suprasolicitarea mașinii. Apoi, reporniți mașina.

Protecție la supraîncălzire

Când mașina/acumulatorul este supraîncălzită/supraîncălzit, aceasta/acesta se oprește automat și indicatorul acumulatorului luminează timp de aproximativ 60 de secunde. Mașina nu se pune în funcțiune chiar dacă o porniți. În această situație, lăsați acumulatorul să se răcească înainte de a reporni mașina.

Protecție împotriva supradescărcării

Când capacitatea rămasă a acumulatorului se reduce, indicatorul luminează intermitent. Dacă continuați să o utilizați, mașina se oprește și indicatorul luminează timp de aproximativ 60 de secunde. Dacă porniți mașina, motorul funcționează din nou, dar se oprește imediat. În această situație, încărcați cartușul acumulatorului.









NOTĂ: Momentul în care lampa începe să lumineze depinde de temperatura din zona de lucru și de starea cartușului acumulatorului.

Indicarea capacității rămase a acumulatorului

Numai pentru cartușe de acumulator cu indicator

► **Fig.3:** 1. Lămpi indicatoare 2. Buton de verificare

Apăsați butonul de verificare de pe cartușul acumulatorului, astfel încât să se indice capacitățile rămase ale acumulatorului. Lămpile indicatorului vor lumina timp de câteva secunde.

Lămpi indicatoare		Capacitate rămasă
Iluminat	Oprit	
		între 75% și 100%
		între 50% și 75%
		între 25% și 50%
		între 0% și 25%

NOTĂ: În funcție de condițiile de utilizare și temperatura ambientală, indicația poate fi ușor diferită de capacitatea reală.

Acționarea întrerupătorului

► **Fig.4:** 1. Buton ON (Pornire)/schimbare viteză
2. Buton OFF (Oprire)

Pentru a porni aspiratorul, apăsați pur și simplu butonul ON (Pornire)/schimbare viteză. Pentru a opri, apăsați butonul OFF (Oprire).

Puteți modifica viteza aspiratorului în trei pași, apăsând butonul ON (Pornire)/schimbare viteză.

Prima apăsare a acestui buton este pentru modul viteză ridicată, a doua pentru modul viteză max. iar a treia pentru viteză normală. Fiecare apăsare pe acest buton repetă alternativ ciclul de viteză ridicată/max./normală.

ASAMBLARE

ATENȚIE: Asigurați-vă întotdeauna că mașina este oprită și cartușul acumulatorului este scos înainte de a executa orice lucrări la mașină.

Sacul de praf și filtrul de hârtie

Înainte de a utiliza aspiratorul, montați fie un sac de praf, fie un filtru de hârtie.

Utilizați opritorul de praf atunci când montați fie un sac de praf, fie un filtru de hârtie.

Sacul de praf poate fi utilizat de mai multe ori dacă este curățat.

Filtrul de hârtie este pentru o singură utilizare. Când se umple tot filtrul de hârtie, aruncați-l fără a-l goli.

NOTĂ: Pentru a preveni infiltrarea prafului în motor:

- Asigurați-vă că sacul de praf sau filtrul de hârtie sunt instalate înainte de utilizare.
- Introduceți opritorul de praf împreună cu sacul de praf sau filtrul de hârtie până la maxim în fante, la instalarea acestora.
- Nu utilizați un sac rupt sau deteriorat.

În caz contrar, motorul se poate defecta.

NOTĂ: Nu îndoiți cartonul de la admisie atunci când montați filtrul de hârtie.

NOTĂ: Nu aruncați niciodată opritorul de praf pentru că acesta trebuie reutilizat ori de câte ori este schimbat sacul de praf sau filtrul de hârtie.

NOTĂ: Filtrul de hârtie pentru aspirator reprezintă o componentă importantă pentru păstrarea performanței acestuia. Utilizarea unui alt filtru de hârtie decât cel original poate cauza fum sau aprindere.

Instalarea sacului de praf

Utilizați opritorul de praf atunci când montați sacul de praf. Aveți grijă ca, din greșeală, să nu utilizați fața superioară în locul feței inferioare pentru că acestea sunt diferite una de cealaltă.

► **Fig.5:** 1. Partea superioară a opritorului de praf
2. Partea inferioară a opritorului de praf

1. Introduceți proeminența sacului de praf în canalul din opritorul de praf, așa cum este arătat în figură.

Sacul de praf nu are un demarcaj între partea superioară și cea inferioară. Puteți introduce proeminența oricâreia dintre părți în canalul opritorului de praf.

► **Fig.6:** 1. Opritor de praf 2. Canelură 3. Sac de praf

2. Suprapuneți cadrul opritorului de praf cu cel al sacului de praf.

► **Fig.7**

3. Puneți opritorul de praf și sacul de praf în cavitatea aspiratorului, în direcția săgeții de pe opritorul de praf. Introduceți-le până la maxim în fantele cavității aspiratorului.

► **Fig.8:** 1. Fantă

4. Așezați întreaga porțiune din material textil a sacului de praf în interiorul aspiratorului.

► Fig.9

5. Închideți complet capacul cutiei pentru praf.

► Fig.10: 1. Capacul cutiei pentru praf

NOTĂ: Când sacul pentru praf nu este instalat în aspirator, capacul cutiei pentru praf nu se închide complet.

Instalarea filtrului de hârtie

Utilizați opritorul de praf și atunci când montați filtrul de hârtie. Aveți grijă ca, din greșeală, să nu utilizați fața superioară în locul feței inferioare pentru că acestea sunt diferite una de cealaltă.

► Fig.11: 1. Partea superioară a opritorului de praf
2. Partea inferioară a opritorului de praf

1. Înainte de a-l monta pe opritorul de praf, depliați admisia filtrului de hârtie.

► Fig.12

2. Introduceți proeminența filtrului de hârtie în canelura opritorului de praf, așa cum este arătat în figură.

Filtrul de hârtie nu are un demarcat între partea superioară și inferioară. Puteți introduce proeminența oricăreia dintre părți în canelura opritorului de praf.

► Fig.13: 1. Opritor de praf 2. Canelură 3. Filtru de hârtie

3. Suprapuneți cadrul opritorului de praf cu cel al filtrului de hârtie.

► Fig.14

4. Puneți opritorul de praf și filtrul de hârtie în cavitatea aspiratorului, în direcția săgeții de pe opritorul de praf. Introduceți-le până la maxim în fantele cavității aspiratorului.

► Fig.15: 1. Fantă

5. Așezați întreaga porțiune de reținere a filtrului de hârtie în interiorul aspiratorului propriu-zis.

► Fig.16

6. Închideți complet capacul cutiei pentru praf.

► Fig.17: 1. Capacul cutiei pentru praf

NOTĂ: Când filtrul de hârtie nu este instalat în aspirator, capacul cutiei pentru praf nu se închide complet.

Instalarea centurii pentru umăr

ATENȚIE: Fiți atent să nu prindeți centura pentru umăr de obiectele înconjurătoare.

ATENȚIE: Fiți atent să nu vă cadă centura pentru umăr de pe umăr când utilizați aspiratorul. Pentru o manipulare stabilă a aspiratorului, se recomandă să purtați centura pentru umăr petrecută peste piept.

Atașați cârligele centurii pentru umăr la suporturile de pe aspirator, așa cum este ilustrat în imagine.

► Fig.18: 1. Curea pentru umăr 2. Cârlig 3. Suport

NOTĂ: De asemenea, puteți atașa centura pentru umăr la sacul moale (accesoriu opțional), conform imaginii.

► Fig.19: 1. Curea pentru umăr 2. Sac moale

OPERAREA

ATENȚIE: Țineți întotdeauna de mâner când transportați aspiratorul. Dacă țineți de accesoriu în timpul transportului, acesta se poate desprinde de aspirator și poate provoca vătămări corporale.

ATENȚIE: Nu prindeți de articulația furtunului așa cum se vede în figură. Dacă țineți de articulația furtunului, vă puteți prinde degetul.

► Fig.20: 1. Articulația furtunului

Utilizarea ca aspirator

NOTĂ: Scoateți accesoriul suflantei înainte de aspirare. Dacă accesoriul suflantei este atașat la aspirator, puterea de aspirare se va reduce.

Montarea sau demontarea accesoriului de aspirare

Pentru a conecta un accesoriu, cum ar fi duza, rotiți-l și introduceți-l ferm în furtun. Pentru deconectare, rotiți-l și trageți-l în afară.

Modul de montare variază în funcție de duze, conform imaginilor.

► Fig.21: 1. Furtun 2. Duză din cauciuc 3. Perie moale 4. Duză scaun 5. Duză covor

Aspirator

Duză din cauciuc

Această duză este potrivită pentru curățarea colțurilor inferioare, cum ar fi buzunarul unei portiere. Duza din cauciuc curăță delicat suprafețele.

► Fig.22: 1. Duză din cauciuc

Perie moale

Această duză este potrivită pentru curățarea aerisirilor pentru aer condiționat, a tabloului de bord etc. Capul periei moi poate fi rotit în unghi drept.

► Fig.23: 1. Perie moale

Duză scaun

Această duză are o perie de scame pentru a curăța suprafața scaunului. Peria laterală de pe duză este utilă pentru îndepărtarea prafului din cusături.

► Fig.24: 1. Duză scaun 2. Perie laterală

Duză covor

Această duză se utilizează pentru a curăța covorul și carpetele de pe podea. Dinții duzei ajută la greblarea particulelor.

► Fig.25: 1. Duză covor

NOTĂ: Utilizați întotdeauna duza pentru covor pentru curățarea covoarelor. Utilizarea duzei pentru covor pe alte materiale poate zgâria suprafața acestora.

Curățarea fără duză

Puteți efectua aspirarea fără duză.

► Fig.26

Eliminarea prafului

ATENȚIE: Goliți sacul de praf sau înlocuiți filtrul de hârtie înainte de a se umple. În caz contrar, forța de aspirare/suflare se reduce.

ATENȚIE: La închiderea capacului cutiei pentru praf, fiți atent să nu vă prindeți degetele.

NOTĂ: Nu aruncați niciodată opritorul de praf pentru că acesta trebuie reutilizat ori de câte ori este schimbat sacul de praf sau filtrul de hârtie.

NOTĂ: Când sacul de praf/filtrul de hârtie nu este instalat în aspirator, capacul cutiei pentru praf nu se închide complet. Nu forțați închiderea capacului cutiei pentru praf. Aceasta poate provoca deformarea sau ruperea mașinii.

NOTĂ: La eliminarea prafului, puteți curăța și camera pentru sacul de praf/filtrul de hârtie. Praful și murdăria rămase în cameră pot provoca înfundarea filtrului sau deteriorarea motorului.

1. Deschideți capacul cutiei pentru praf.
► **Fig.27:** 1. Capacul cutiei pentru praf
2. Trageți în afară opritorul de praf portocaliu și sacul de praf/filtrul de hârtie în același timp.
► **Fig.28:** 1. Opritor de praf
3. Când folosiți sacul de praf
Scoateți opritorul de praf și goliți sacul de praf.
► **Fig.29:** 1. Opritor de praf 2. Sac de praf

Când folosiți filtrul de praf

Scoateți opritorul de praf și eliminați filtrul de hârtie.

► **Fig.30:** 1. Opritor de praf 2. Filtru de hârtie

4. Puneți sacul de praf/filtrul de hârtie nou și opritorul de praf împreună în aspirator și curățați capacul cutiei de praf.

Utilizarea ca suflantă

ATENȚIE: Nu îndreptați niciodată duza spre persoane aflate în apropiere.

ATENȚIE: Pentru a evita inhalarea prafului, este recomandat să deschideți geamurile și să purtați ochelari și mască de protecție în timpul utilizării.

ATENȚIE: Nu trageți de accesoriul suflantei. Se poate desprinde de aspirator.

ATENȚIE: Nu folosiți aspiratorul pentru a sufla aer în interiorul obiectelor, cum ar fi bărcile de cauciuc pentru rafting, mingi sau alte articole gonflabile. Rotația sporită a motorului poate cauza defectarea ventilatorului, care poate fi periculoasă.

Montarea sau demontarea accesoriului suflantei

Pentru a atașa accesoriul suflantei, aliniați proeminența portului pentru accesoriul suflantei cu canelura de pe aerisire și apoi împingeți până când face clic.

► **Fig.31:** 1. Accesoriul suflantei

Pentru a scoate accesoriul suflantei, trageți de port în jos în timp ce apăsați pe partea sa superioară, așa cum se vede în figură.

► **Fig.32**

Suflarea

Îndreptați vârful accesoriului suflantei către obiectul care urmează să fie suflat și apoi porniți dispozitivul.

► **Fig.33**

ÎNȚREȚINERE

ATENȚIE: Asigurați-vă întotdeauna că mașina este oprită și cartușul acumulatorului scos înainte de a executa lucrările de inspecție și întreținere.

NOTĂ: Nu utilizați niciodată gazolină, benzină, diluant, alcool sau alte substanțe asemănătoare. În caz contrar, pot rezulta decolorări, deformări sau fisuri.

Pentru a menține SIGURANȚA și FIABILITATEA produsului, reparațiile și orice alte lucrări de întreținere sau reglare trebuie executate de centre de service Makita autorizate sau proprii, folosind întotdeauna piese de schimb Makita.

Curățarea

Din când în când ștergeți suprafața exterioară (corpul aspiratorului) a aspiratorului utilizând o lavetă umezită în apă cu săpun.

De asemenea, curățați admisia, zona de montaj a sacului de praf/filtrului de hârtie și opritorul de praf.

► **Fig.34**

Spălați sacul de praf în apă cu săpun atunci când acesta este înfundat și când se reduce puterea aspiratorului. Uscați-l complet înainte de utilizare. Un filtru uscat insuficient poate avea ca efect o putere mică de aspirare și poate scurta durata de viață a motorului.

► **Fig.35**

NOTĂ: Filtru de hârtie este pentru o singură utilizare.

Când filtrul spongios este îmbăcșit cu praf, scoateți-l din aspirator și apoi curățați-l sau spălați-l în apă.

Scoaterea și montarea filtrului spongios

ATENȚIE: După curățarea filtrului spongios, asigurați-vă că acesta va fi montat în aspirator. Dacă a fost spălat în apă, uscați filtrul înainte de a-l monta. Un filtru spongios insuficient uscat poate scurta durata de viață a motorului.

Pentru a scoate filtrul spongios, scoateți sacul de praf sau filtrul de hârtie apoi prindeți-l și trageți-l afară.

► **Fig.36:** 1. Filtru spongios

Apăsați întreaga margine a filtrului spongios pe peretele cu nișe din interiorul zonei de montaj a sacului de praf/filtrului de hârtie.

► **Fig.37:** 1. Perete cu nișe

Depozitare

⚠️ AVERTIZARE: Nu lăsați niciodată cartușul acumulatorului și încărcătorul în mașină. Temperatura din interiorul unei mașini care stă în bătaia soarelui poate depăși 50 °C (122 °F). Aceasta poate provoca deteriorarea cartușului acumulatorului și ejectarea lichidului, emisia de fum sau incendiu.

► Fig.38

⚠️ AVERTIZARE: Nu utilizați niciodată acumulatorul într-o geantă de depozitare. Blocarea aerisirii poate produce fum sau un incendiu.

► Fig.39

⚠️ AVERTIZARE: Nu încărcăți niciodată cartușul acumulatorului cu inversorul vehiculului. Aceasta poate cauza încălzirea anormală și incendiu.

⚠️ AVERTIZARE: Nu încărcăți niciodată cartușul acumulatorului în mașină. Atunci când cartușul acumulatorului este expus la un interval de temperatură care depășește 10 °C (50 °F) - 40 °C (104 °F), acesta poate genera căldură și/sau un incendiu sau poate exploda.

⚠️ ATENȚIE: Depozitați întotdeauna furtunul ca în imagine pentru a evita împiedicarea, atunci când aspiratorul nu este în uz.

Furtunul nepliat vă poate agăța piciorul și provoca vătămări corporale.

► Fig.40: 1. Cărlig 2. Furtun

Depanare

Înainte de a solicita reparații, verificați următoarele puncte.

Simptom	Zona care trebuie investigată	Metoda de fixare
Putere slabă de aspirație	Sacul de praf sau filtrul de hârtie este plin de praf?	Goliți sacul de praf sau filtrul de hârtie.
	Sacul de praf este înfundat?	Eliminați praful din sac sau spălați sacul.
	Filtrul de hârtie este înfundat?	Înlocuiți filtrul de hârtie.
	Cartușul acumulatorului este epuizat?	Încărcați cartușul acumulatorului.
Nu funcționează	Cartușul acumulatorului este epuizat?	Încărcați cartușul acumulatorului.
Capacul cutiei pentru praf nu se închide	Sacul de praf sau filtrul de hârtie este montat?	Montați sacul de praf sau filtrul de hârtie.

NOTĂ: Nu încercați să reparați singur aspiratorul.

ACCESORII OPȚIONALE

⚠️ ATENȚIE: Folosiți accesoriile sau piesele auxiliare recomandate pentru mașina dumneavoastră Makita în acest manual. Utilizarea oricărui alte accesorii sau piese auxiliare poate prezenta risc de vătămare corporală. Utilizați accesoriile și piesele auxiliare numai în scopul destinat.

Dacă aveți nevoie de asistență sau de mai multe detalii referitoare la aceste accesorii, adresați-vă centrului local de service Makita.

- Tub de extensie (Țeavă dreaptă)
- Duză
- Duză pentru covoare
- Perie pentru rafturi
- Duză pentru colțuri
- Perie rotundă
- Furtun flexibil
- Filtru de hârtie
- Duză liberă
- Duză scaun
- Duză pentru curățarea spațiilor greu accesibile
- Ciclon pentru colectarea prafului
- Sac de praf

- Sac de praf de înaltă performanță
- Sac moale
- Acumulator și încărcător original Makita

NOTĂ: Unele articole din listă pot fi incluse ca accesorii standard în ambalajul de scule. Acestea pot diferi în funcție de țară.

WARNUNG

Dieses Gerät kann von Kindern ab 8 Jahren und Personen mit verminderten körperlichen, sensorischen oder geistigen Fähigkeiten oder Mangel an Erfahrung und Kenntnissen benutzt werden, sofern sie eine Beaufsichtigung oder Anweisung bezüglich des sicheren Gebrauchs des Gerätes erhalten haben und die damit verbundenen Gefahren verstehen. Kinder dürfen nicht mit dem Gerät spielen. Reinigung und Benutzerwartung dürfen nicht von Kindern ohne Beaufsichtigung durchgeführt werden.

TECHNISCHE DATEN

Modell:		CL121D
Kapazität	mit Staubsack	500 mL
	mit Papierfilter	330 mL
Dauerbetrieb (mit Akku BL1016)	1 (Normaldrehzahlmodus)	Ca. 25 min
	2 (Hochdrehzahlmodus)	Ca. 12 min
	3 (Maximaldrehzahlmodus)	Ca. 10 min
Gesamtlänge (mit Akku BL1016)		345 mm
Nennspannung		10,8 V Gleichstrom - 12 V max.
Nettogewicht		1,7 - 1,8 kg

- Wir behalten uns vor, Änderungen der technischen Daten im Zuge der Entwicklung und des technischen Fortschritts ohne vorherige Ankündigung vorzunehmen.
- Die technischen Daten können von Land zu Land unterschiedlich sein.
- Das Gewicht schließt keine Zubehörteile, aber Akkus ein. Das niedrigste und höchste Kombinationsgewicht des Gerätes und der Akkus sind in der Tabelle angegeben.

Zutreffende Akkus und Ladegeräte

Akku	BL1015 / BL1016 / BL1020B / BL1021B / BL1040B / BL1041B
Ladegerät	DC10SA / DC10SB / DC10WC / DC10WD / DC18RE

- Einige der oben aufgelisteten Akkus und Ladegeräte sind je nach Ihrem Wohngebiet eventuell nicht erhältlich.

⚠️ WARNUNG: Verwenden Sie nur die oben aufgeführten Akkus und Ladegeräte. Bei Verwendung irgendwelcher anderer Akkus und Ladegeräte besteht Verletzungs- und/oder Brandgefahr.

Symbole

Nachfolgend werden die für das Gerät verwendeten Symbole beschrieben. Machen Sie sich vor der Benutzung mit ihrer Bedeutung vertraut.



Betriebsanleitung lesen.



Nur für EG-Länder
Entsorgen Sie Elektrogeräte oder Akkus nicht zusammen mit dem Hausmüll! Unter Einhaltung der Europäischen Richtlinie über Elektro- und Elektronik-Altgeräte, Batterien, Akkus sowie verbrauchte Batterien und Akkus und ihre Umsetzung gemäß den Landesgesetzen müssen Elektrogeräte und Batterien bzw. Akkus, die das Ende ihrer Lebensdauer erreicht haben, getrennt gesammelt und einer umweltgerechten Recycling-Einrichtung zugeführt werden.

Vorgesehene Verwendung

Das Werkzeug ist für das Absaugen von Trockenstaub vorgesehen.

SICHERHEITSWARNUNGEN

Sicherheitswarnungen für Akku-Staubsauger

⚠️ WARNUNG: WICHTIG! Alle Sicherheitswarnungen und Anweisungen **VOR GEBRAUCH AUFMERKSAM LESEN**. Eine Missachtung der Warnungen und Anweisungen kann zu einem elektrischen Schlag, Brand und/oder schweren Verletzungen führen.

1. Das Gerät keinem Regen aussetzen. In Innenräumen aufbewahren.
2. Das Gerät darf nicht als Spielzeug benutzt werden. Wenn das Gerät von Kindern oder in deren Nähe benutzt wird, ist besondere Vorsicht geboten.
3. Nur gemäß der Beschreibung in dieser Anleitung benutzen. Nur vom Hersteller empfohlene Zusatzvorrichtungen verwenden.
4. Nicht mit beschädigtem Akku benutzen. Falls das Gerät nicht ordnungsgemäß funktioniert, fallen gelassen, beschädigt, im Freien liegen gelassen wurde oder ins Wasser gefallen ist, bringen Sie es zu einem Kundenzentrum.
5. Fassen Sie das Gerät nicht mit nassen Händen an.
6. Stecken Sie keine Gegenstände in die Öffnungen. Benutzen Sie das Gerät nicht mit einer blockierten Öffnung; halten Sie es frei von Staub, Fusseln, Haaren und Fremdkörpern, die den Luftstrom behindern können.
7. Halten Sie Haare, lose Kleidung, Finger und alle Körperteile von den Öffnungen und beweglichen Teilen fern.
8. Schalten Sie sämtliche Bedienelemente aus, bevor Sie den Akku abnehmen.
9. Lassen Sie bei der Reinigung von Treppen besondere Vorsicht walten.
10. Verwenden Sie das Gerät nicht zum Aufsaugen von brennbaren oder feuergefährlichen Flüssigkeiten, wie z. B. Benzin, und benutzen Sie es auch nicht in der Nähe solcher Flüssigkeiten.
11. Verwenden Sie nur das vom Hersteller gelieferte Ladegerät zum Aufladen.
12. Saugen Sie keine brennenden oder rauchenden Gegenstände auf, wie z. B. Zigaretten, Streichhölzer oder heiße Asche.
13. Benutzen Sie das Gerät nicht ohne angebrachten Staubsack und/oder Filter.
14. Laden Sie den Akku nicht im Freien.

15. Laden Sie den Akku nur mit dem vom Hersteller vorgeschriebenen Ladegerät. Ein Ladegerät, das für einen Akkutyp geeignet ist, kann bei Verwendung mit einem anderen Akku eine Brandgefahr darstellen.
16. Benutzen Sie Elektrowerkzeuge nur mit den ausdrücklich vorgeschriebenen Akkus. Bei Verwendung irgendwelcher anderer Akkus besteht Verletzungs- und Brandgefahr.
17. Bewahren Sie den Akku bei Nichtgebrauch nicht zusammen mit Metallgegenständen, wie Büroklammern, Münzen, Schlüsseln, Nägeln, Schrauben, und anderen kleinen Metallteilen auf, welche die Kontakte kurzschließen können.
18. Bei Missbrauch kann Flüssigkeit aus dem Akku austreten. Vermeiden Sie Kontakt mit dieser Flüssigkeit. Falls Sie versehentlich mit der Flüssigkeit in Berührung kommen, spülen Sie die betroffenen Stellen mit Wasser ab.
19. Verwenden Sie keinen Akku und auch kein Werkzeug, der (das) beschädigt oder modifiziert ist. Beschädigte oder modifizierte Akkus können unvorhersehbares Verhalten zeigen, das zu einem Brand, einer Explosion oder Verletzungsgefahr führen kann.
20. Setzen Sie einen Akku oder ein Werkzeug nicht Feuer oder übermäßigen Temperaturen aus. Bei Einwirkung von Feuer oder Temperaturen über 130 °C kann es zu einer Explosion kommen.
21. Befolgen Sie alle Ladeanweisungen, und laden Sie den Akku bzw. das Werkzeug nicht außerhalb des in den Anweisungen angegebenen Temperaturbereichs. Wird der Ladevorgang unsachgemäß oder bei Temperaturen außerhalb des angegebenen Bereichs durchgeführt, kann es zu einer Beschädigung des Akkus und erhöhter Brandgefahr kommen.

BEWAHREN SIE DIESE ANLEITUNG AUF.

ZUSÄTZLICHE SICHERHEITSGESETZE

Dieses Gerät ist für Haushaltsgebrauch vorgesehen.

1. Lesen Sie diese Gebrauchsanleitung und die Gebrauchsanleitung des Ladegerätes vor der Benutzung aufmerksam durch.
2. Unterlassen Sie das Aufsaugen der folgenden Materialien:
 - Heiße Materialien, wie z. B. brennende Zigaretten oder durch Schleifen/Schneiden von Metall erzeugte Funken/Metallstaub
 - Brennbare Materialien, wie z. B. Benzin, Verdünner, Petroleum oder Lack
 - Explosive Materialien, wie Nitroglycerin
 - Zündfähige Materialien, wie z. B. Aluminium, Zink, Magnesium, Titan, Phosphor oder Celluloid
 - Nassen Schmutz, Wasser, Öl oder dergleichen

- Harte Gegenstände mit scharfen Kanten, wie z. B. Holzspäne, Metalle, Steine, Glas, Nägel, Nadeln oder Rasierklingen
 - Klumpen bildendes Pulver, wie z. B. Zement oder Toner
 - Leitfähiger Staub, wie z. B. Metall- oder Kohlenstaub
 - Feine Partikel, wie z. B. Betonstaub
- Solche Handlungen können einen Brand, Verletzungen und/oder Sachschäden verursachen.
3. Brechen Sie den Betrieb sofort ab, wenn Sie irgendetwas Ungewöhnliches bemerken.
 4. Falls Sie den Staubsauger fallen lassen oder anstoßen, überprüfen Sie ihn vor der Benutzung sorgfältig auf Risse oder Beschädigung.
 5. Bringen Sie das Gerät nicht in die Nähe von Öfen oder anderen Wärmequellen.
 6. Blockieren Sie nicht die Einlassöffnung oder die Belüftungsöffnungen.

BEWAHREN SIE DIESE ANLEITUNG AUF.

Wichtige Sicherheitsanweisungen für Akku

1. Lesen Sie vor der Benutzung des Akkus alle Anweisungen und Warnhinweise, die an (1) Ladegerät, (2) Akku und (3) Akkuwerkzeug angebracht sind.
2. Unterlassen Sie ein Zerlegen des Akkus.
3. Falls die Betriebszeit beträchtlich kürzer geworden ist, stellen Sie den Betrieb sofort ein. Anderenfalls besteht die Gefahr von Überhitzung, möglichen Verbrennungen und sogar einer Explosion.
4. Falls Elektrolyt in Ihre Augen gelangt, waschen Sie sie mit sauberem Wasser aus, und begeben Sie sich unverzüglich in ärztliche Behandlung. Anderenfalls können Sie Ihre Sehkraft verlieren.
5. Der Akku darf nicht kurzgeschlossen werden:
 - (1) Die Kontakte dürfen nicht mit leitfähigem Material berührt werden.
 - (2) Lagern Sie den Akku nicht in einem Behälter zusammen mit anderen Metallgegenständen, wie z. B. Nägel, Münzen usw.
 - (3) Setzen Sie den Akku weder Wasser noch Regen aus.

Ein Kurzschluss des Akkus verursacht starken Stromfluss, der Überhitzung, mögliche Verbrennungen und einen Defekt zur Folge haben kann.

6. Lagern Sie das Werkzeug und den Akku nicht an Orten, an denen die Temperatur 50 °C erreichen oder überschreiten kann.
7. Versuchen Sie niemals, den Akku zu verbrennen, selbst wenn er stark beschädigt oder vollkommen verbraucht ist. Der Akku kann im Feuer explodieren.

8. Achten Sie darauf, dass der Akku nicht fallen gelassen oder Stößen ausgesetzt wird.
9. Benutzen Sie keine beschädigten Akkus.
10. Die enthaltenen Lithium-Ionen-Akkus unterliegen den Anforderungen der Gefahrgut-Gesetzgebung.
Für kommerzielle Transporte, z. B. durch Dritte oder Spediteure, müssen besondere Anforderungen zu Verpackung und Etikettierung beachtet werden.
Zur Vorbereitung des zu transportierenden Artikels ist eine Beratung durch einen Experten für Gefahrgut erforderlich. Bitte beachten Sie möglicherweise ausführlichere nationale Vorschriften. Überkleben oder verdecken Sie offene Kontakte, und verpacken Sie den Akku so, dass er sich in der Verpackung nicht umher bewegen kann.
11. Befolgen Sie die örtlichen Bestimmungen bezüglich der Entsorgung von Akkus.
12. Verwenden Sie die Akkus nur mit den von Makita angegebenen Produkten. Das Einsetzen der Akkus in nicht konforme Produkte kann zu einem Brand, übermäßiger Hitzebildung, einer Explosion oder Auslaufen von Elektrolyt führen.

DIESE ANWEISUNGEN AUFBEWAHREN.

⚠ VORSICHT: Verwenden Sie nur Original-Makita-Akkus. Die Verwendung von Nicht-Original-Makita-Akkus oder von Akkus, die abgeändert worden sind, kann zum Bersten des Akkus und daraus resultierenden Bränden, Personenschäden und Beschädigung führen. Außerdem wird dadurch die Makita-Garantie für das Makita-Werkzeug und -Ladegerät ungültig.

Hinweise zur Aufrechterhaltung der maximalen Akku-Nutzungsdauer

1. Laden Sie den Akku, bevor er vollkommen erschöpft ist. Schalten Sie das Werkzeug stets aus, und laden Sie den Akku, wenn Sie ein Nachlassen der Werkzeuleistung feststellen.
2. Unterlassen Sie erneutes Laden eines voll aufgeladenen Akkus. Überladen führt zu einer Verkürzung der Nutzungsdauer des Akkus.
3. Laden Sie den Akku bei Raumtemperatur zwischen 10 – 40 °C. Lassen Sie einen heißen Akku abkühlen, bevor Sie ihn laden.

FUNKTIONSBESCHREIBUNG

⚠ VORSICHT: Vergewissern Sie sich vor der Durchführung von Einstellungen oder Funktionsprüfungen des Werkzeugs stets, dass das Werkzeug ausgeschaltet und der Akku abgenommen ist.

⚠ VORSICHT: Achten Sie beim Einsetzen des Akkus darauf, dass keine Finger zwischen Saugerät und Akku eingeklemmt werden. Einklemmen von Fingern kann Verletzungen verursachen.

Anbringen und Abnehmen des Akkus

⚠ VORSICHT: Schalten Sie das Werkzeug stets aus, bevor Sie den Akku anbringen oder abnehmen.

⚠ VORSICHT: Halten Sie das Werkzeug und den Akku beim Anbringen oder Abnehmen des Akkus sicher fest. Wenn Sie das Werkzeug und den Akku nicht sicher festhalten, können sie Ihnen aus der Hand rutschen, was zu einer Beschädigung des Werkzeugs und des Akkus und zu Körperverletzungen führen kann.

► **Abb.1:** 1. Rote Anzeige 2. Knopf 3. Akku

Ziehen Sie den Akku zum Abnehmen vom Werkzeug ab, während Sie den Knopf an der Vorderseite des Akkus verschieben.

Richten Sie zum Anbringen des Akkus dessen Führungsfeder auf die Nut im Gehäuse aus, und schieben Sie den Akku hinein. Schieben Sie ihn vollständig ein, bis er mit einem hörbaren Klicken einrastet. Falls die rote Anzeige an der Oberseite des Knopfes sichtbar ist, ist der Akku nicht vollständig verriegelt.

⚠ VORSICHT: Schieben Sie den Akku stets bis zum Anschlag ein, bis die rote Anzeige nicht mehr sichtbar ist. Anderenfalls kann er aus dem Werkzeug herausfallen und Sie oder umstehende Personen verletzen.

⚠ VORSICHT: Unterlassen Sie Gewaltanwendung beim Anbringen des Akkus. Falls der Akku nicht reibungslos hineingleitet, ist er nicht richtig ausgerichtet.

Werkzeug-/Akku-Schutzsystem

Das Werkzeug ist mit einem Werkzeug-/Akku-Schutzsystem ausgestattet. Dieses System schaltet die Stromversorgung des Motors automatisch aus, um die Lebensdauer des Werkzeugs und des Akkus zu verlängern.

Das Werkzeug bleibt während des Betriebs automatisch stehen, wenn das Werkzeug oder der Akku einer der folgenden Bedingungen unterliegt. Bei manchen Bedingungen leuchtet die Anzeigelampe auf.

► **Abb.2:** 1. Anzeigelampe

Überlastschutz

Wird das Werkzeug in einer Weise betrieben, die eine ungewöhnlich hohe Stromaufnahme bewirkt, bleibt es automatisch stehen, und die Anzeige blinkt für etwa 60 Sekunden. Schalten Sie in dieser Situation das Werkzeug aus, und brechen Sie die Arbeit ab, die eine Überlastung des Werkzeugs verursacht hat. Schalten Sie dann das Werkzeug wieder ein, um neu zu starten.

Überhitzungsschutz

Wenn das Werkzeug/der Akku überhitzt wird, bleibt das Werkzeug automatisch stehen, und die Akku-Anzeige leuchtet etwa 60 Sekunden lang auf. Das Werkzeug läuft nicht an, selbst wenn Sie es einschalten. Lassen Sie den Akku in dieser Situation abkühlen, bevor Sie das Werkzeug wieder einschalten.

Tiefentladungsschutz

Wenn die Akku-Restkapazität niedrig wird, blinkt die Anzeige. Bei weiterer Benutzung bleibt das Werkzeug stehen, und die Anzeige leuchtet etwa 60 Sekunden lang auf. Wenn Sie das Werkzeug einschalten, läuft der Motor wieder an, bleibt aber bald darauf stehen. Laden Sie in dieser Situation den Akku auf.

HINWEIS: Der Zeitpunkt, zu dem die Lampe aufleuchtet, hängt von der Temperatur am Arbeitsplatz und dem Zustand des Akkus ab.

Anzeigen der Akku-Restkapazität

Nur für Akkus mit Anzeige

► **Abb.3:** 1. Anzeigelampen 2. Prüftaste

Drücken Sie die Prüftaste am Akku, um die Akku-Restkapazität anzuzeigen. Die Anzeigelampen leuchten wenige Sekunden lang auf.

Anzeigelampen		Restkapazität
Erleuchtet	Aus	
■	□	
■ ■ ■ ■		75% bis 100%
■ ■ ■ □		50% bis 75%
■ ■ □ □		25% bis 50%
■ □ □ □		0% bis 25%

HINWEIS: Abhängig von den Benutzungsbedingungen und der Umgebungstemperatur kann die Anzeige geringfügig von der tatsächlichen Kapazität abweichen.

Schalterfunktion

- **Abb.4:** 1. Einschalttaste (ON)/Drehzahl-Umschalttaste 2. Ausschalttaste (OFF)

Drücken Sie zum Einschalten des Staubsaugers einfach die Einschalttaste (ON)/Drehzahl-Umschalttaste. Drücken Sie zum Ausschalten die Ausschalttaste (OFF). Durch Drücken der Einschalttaste (ON)/Drehzahl-Umschalttaste können Sie die Drehzahl des Staubsaugers in drei Stufen ändern. Beim ersten Drücken dieser Taste erhalten Sie den Hochdrehzahlmodus, beim zweiten Drücken den Maximaldrehzahlmodus, und beim dritten Drücken den Normaldrehzahlmodus. Mit jedem Drücken dieser Taste wird der Zyklus hohe/maximale/normale Drehzahl abwechselnd wiederholt.

MONTAGE

⚠ VORSICHT: Vergewissern Sie sich vor der Ausführung von Arbeiten am Werkzeug stets, dass das Werkzeug ausgeschaltet und der Akku abgenommen ist.

Staubsack und Papierfilter

Setzen Sie vor der Benutzung des Staubsaugers entweder den Staubsack oder einen Papierfilter ein. Verwenden Sie den Staubsackanschlag sowohl für den Staubsack als auch für den Papierfilter. Der Staubsack kann durch Entleeren viele Male wieder verwendet werden. Der Papierfilter ist ein Wegwerfartikel. Werfen Sie den ganzen Papierfilter weg, ohne ihn zu entleeren, wenn er voll geworden ist.

ANMERKUNG: Um Eindringen von Staub in den Motor zu verhindern:

- Vergewissern Sie sich vor der Benutzung stets, dass der Staubsack bzw. der Papierfilter eingesetzt ist.
- Führen Sie den Staubsackanschlag zusammen mit dem Staubsack bzw. dem Papierfilter bis zum Anschlag in die Schlitz ein, wenn Sie die Teile installieren.
- Verwenden Sie keinen beschädigten oder zerrissenen Beutel.

Anderenfalls kann der Motor beschädigt werden.

ANMERKUNG: Unterlassen Sie Falten des Kartons an der Öffnung des Papierfilters, wenn Sie diesen einsetzen.

ANMERKUNG: Werfen Sie auf keinen Fall den Staubsackanschlag weg, weil er zum Einsetzen des Staubsacks oder Papierfilters wiederholt benutzt werden muss.

ANMERKUNG: Der Papierfilter für den Staubsauger ist ein wichtiges Teil zur Aufrechterhaltung der Werkzeugeistung. Wird ein anderes Teil als der Original-Papierfilter verwendet, kann es zu Rauchbildung oder Entzündung kommen.

Montieren des Staubsacks

Verwenden Sie den Staubsackanschlag zum Einsetzen des Staubsacks. Achten Sie darauf, dass Sie nicht versehentlich die Oberseite mit der Unterseite verwechseln, weil sie unterschiedlich sind.

- **Abb.5:** 1. Oberseite des Staubsackanschlags
2. Unterseite des Staubsackanschlags

1. Führen Sie den Vorsprung des Staubsacks in die Führungsnut des Staubsackanschlags ein, wie in der Abbildung gezeigt.

Es gibt keinen Unterschied zwischen Ober- und Unterseite des Staubsacks. Sie können den Vorsprung beider Seiten in die Führungsnut des Staubsackanschlags einführen.

- **Abb.6:** 1. Staubsackanschlag 2. Nut 3. Staubsack

2. Der Rahmen des Staubsackanschlags muss sich mit dem des Staubsacks decken.

- **Abb.7**

3. Setzen Sie den Staubsack zusammen mit dem Staubsackanschlag in der Richtung des Pfeils auf dem Staubsackanschlag in die Staubsakammer ein. Führen Sie die Teile vollständig in die Schlitz der Staubsakammer ein.

- **Abb.8:** 1. Schlitz

4. Bringen Sie den gesamten Stoffteil des Staubsaugs im Staubsauger selbst unter.

- **Abb.9**

5. Schließen Sie die Staubsammelbehälterabdeckung vollständig.

- **Abb.10:** 1. Staubsammelbehälterabdeckung

HINWEIS: Wenn der Staubsack nicht im Sauggerät eingesetzt ist, lässt sich die Staubsammelbehälterabdeckung nicht vollständig schließen.

Einsetzen des Papierfilters

Verwenden Sie den Staubsackanschlag auch zum Einsetzen des Papierfilters. Achten Sie darauf, dass Sie nicht versehentlich die Oberseite mit der Unterseite verwechseln, weil sie unterschiedlich sind.

- **Abb.11:** 1. Oberseite des Staubsackanschlags
2. Unterseite des Staubsackanschlags

1. Falten Sie den Einlass des Papierfilters auf, bevor Sie ihn am Staubsackanschlag anbringen.

- **Abb.12**

2. Führen Sie den Vorsprung des Papierfilters in die Führungsnut des Staubsackanschlags ein, wie in der Abbildung gezeigt.

Es gibt keinen Unterschied zwischen Ober- und Unterseite des Papierfilters. Sie können den Vorsprung beider Seiten in die Führungsnut des Staubsackanschlags einführen.

- **Abb.13:** 1. Staubsackanschlag 2. Nut 3. Papierfilter

3. Der Rahmen des Staubsackanschlags muss sich mit dem des Papierfilters decken.

- **Abb.14**

4. Setzen Sie den Papierfilter zusammen mit dem Staubsackanschlag in der Richtung des Pfeils auf dem Staubsackanschlag in die Staubsackkammer ein. Führen Sie die Teile vollständig in die Schlitz der Staubsackkammer ein.

► **Abb.15:** 1. Schlitz

5. Bringen Sie den gesamten Behälterteil des Papierfilters im Gerät selbst unter.

► **Abb.16**

6. Schließen Sie die Staubsammelbehälterabdeckung vollständig.

► **Abb.17:** 1. Staubsammelbehälterabdeckung

HINWEIS: Wenn der Papierfilter nicht im Sauggerät eingesetzt ist, lässt sich die Staubsammelbehälterabdeckung nicht vollständig schließen.

Montieren des Schulterriemens

⚠ VORSICHT: Achten Sie darauf, dass sich der Schulterriemen nicht an Gegenständen in Ihrer Umgebung verfängt.

⚠ VORSICHT: Achten Sie darauf, dass der Schulterriemen während der Benutzung des Sauggerätes nicht von Ihrer Schulter abrutscht. Um stabile Handhabung des Sauggerätes zu gewährleisten, empfehlen wir Ihnen, den Schulterriemen quer über Ihrem Brustkorb zu tragen.

Befestigen Sie die Haken des Schulterriemens an den Halterungen des Sauggerätes, wie in der Abbildung gezeigt.

► **Abb.18:** 1. Umhängeriemens 2. Haken 3. Halterung

HINWEIS: Sie können den Schulterriemen auch an der Tasche (Sonderzubehör) anbringen, wie dargestellt.

► **Abb.19:** 1. Umhängeriemens 2. Tasche

BETRIEB

⚠ VORSICHT: Halten Sie das Sauggerät zum Tragen immer am Handgriff. Falls Sie das Aufsatzteil zum Tragen halten, kann es sich vom Sauggerät lösen und Personenschäden verursachen.

⚠ VORSICHT: Fassen Sie nicht den Schlauchverbinder, wie in der Abbildung gezeigt. Durch Halten des Schlauchverbinders kann Ihr Finger eingeklemmt werden.

► **Abb.20:** 1. Schlauchverbinder

Verwendung als Sauggerät

HINWEIS: Entfernen Sie den Gebläseaufsatz vor dem Staubsaugen. Wenn der Gebläseaufsatz am Sauggerät angebracht ist, wird die Saugkraft reduziert.

Montieren und Demontieren des Sauggeräteaufsatzes

Um einen Aufsatz, wie etwa eine Düse, anzuschließen, führen Sie diese bei gleichzeitigem Drehen sicher in den Schlauch ein. Zum Trennen ziehen Sie ihn bei gleichzeitigem Drehen heraus.

Die Montageart ist abhängig von den Düsen unterschiedlich, wie dargestellt.

► **Abb.21:** 1. Schlauch 2. Gummidüse 3. Weiche Bürste 4. Sitzdüse 5. Mattendüse

Staubsaugen

Gummidüse

Diese Düse eignet sich gut zum Reinigen von tief liegenden Ecken, wie etwa bei einer Türtasche. Die Gummidüse schont die Reinigungsfläche.

► **Abb.22:** 1. Gummidüse

Weiche Bürste

Diese Düse eignet sich gut zum Reinigen von Klimaanlage-Lüftungsöffnungen, Armaturenbrett usw. Der Kopf der weichen Bürste kann auf einen rechten Winkel gedreht werden.

► **Abb.23:** 1. Weiche Bürste

Sitzdüse

Diese Düse besitzt eine Flusenbürste zum Reinigen der Sitzfläche. Die Seitenbürste an der Düse ist nützlich, um Staub aus den Nähten herauszuharken.

► **Abb.24:** 1. Sitzdüse 2. Seitenbürste

Mattendüse

Diese Düse wird zum Reinigen von Bodenmatten und Teppichböden verwendet. Die Zähne an der Düse helfen dabei, Sandkörner herauszuharken.

► **Abb.25:** 1. Mattendüse

ANMERKUNG: Verwenden Sie immer die Mattendüse zum Reinigen einer Matte. Wird die Mattendüse für andere Materialien verwendet, kann ihre Oberfläche verkratzt werden.

Staubsaugen ohne Düse

Sie können Staubsaugen ohne die Düse durchführen.

► **Abb.26**

Staubentleerung

⚠ VORSICHT: Entleeren Sie den Staubsack, oder ersetzen Sie den Papierfilter, bevor er voll wird. Anderenfalls lässt die Saug-/Blaskraft nach.

⚠ VORSICHT: Achten Sie beim Schließen der Staubsammelbehälterabdeckung darauf, dass Sie sich nicht die Finger klemmen.

ANMERKUNG: Werfen Sie auf keinen Fall den Staubsackanschlag weg, weil er bei jedem Einsetzen des Staubsacks oder Papierfilters benötigt wird.

ANMERKUNG: Wenn sich der Staubsack/ Papierfilter nicht im Saugergerät befindet, lässt sich die Staubsammelbehälterabdeckung nicht vollständig schließen. Schließen Sie die Staubsammelbehälterabdeckung nicht gewaltsam. Es kann sonst zu einer Verformung oder einem Bruch des Werkzeugs kommen.

ANMERKUNG: Wenn Sie den Staub entsorgen, reinigen Sie auch den Raum für den Staubsack/ Papierfilter. Staub und Schmutz, die in dem Raum verbleiben, können eine Verstopfung des Schwammfilters oder eine Beschädigung des Motors verursachen.

1. Öffnen Sie die Staubsammelbehälterabdeckung.
► **Abb.27:** 1. Staubsammelbehälterabdeckung

2. Ziehen Sie den orangefarbenen Staubsackanschlag und den Staubsack/Papierfilter gleichzeitig heraus.
► **Abb.28:** 1. Staubsackanschlag

3. **Bei Verwendung des Staubsacks**
Entfernen Sie den Staubsackanschlag, und entleeren Sie den Staubsack.
► **Abb.29:** 1. Staubsackanschlag 2. Staubsack

Bei Verwendung des Papierfilters
Entfernen Sie den Staubsackanschlag, und entsorgen Sie den Papierfilter.
► **Abb.30:** 1. Staubsackanschlag 2. Papierfilter

4. Setzen Sie den Staubsack/neuen Papierfilter und den Staubsackanschlag zusammen in das Saugergerät ein, und schließen Sie die Staubsammelbehälterabdeckung.

Verwendung als Blasergerät

⚠ VORSICHT: Richten Sie die Düse niemals auf Personen oder Tiere in der Umgebung.

⚠ VORSICHT: Um Einatmen von Staub zu verhindern, wird empfohlen, während der Arbeit die Fenster zu öffnen und auch eine Schutzbrille und Staubmaske zu tragen.

⚠ VORSICHT: Ziehen Sie nicht am Gebläseaufsatz. Er könnte sich vom Saugergerät lösen.

⚠ VORSICHT: Verwenden Sie das Saugergerät nicht zum Aufblasen von Objekten, z. B. von Schlauchbooten, Ballen oder anderen aufblasbaren Produkten. Erhöhte Motordrehzahl kann gefährlichen Bruch des Gebläses verursachen.

Montieren und Demontieren des Gebläseaufsatzes

Richten Sie zum Anbringen des Gebläseaufsatzes den Vorsprung des Gebläseaufsatzanschlusses auf die Nut an der Lüftungsöffnung aus, und schieben Sie ihn hinein, bis er mit einem Klicken einrastet.

► **Abb.31:** 1. Gebläseaufsatz

Um den Gebläseaufsatz zu entfernen, ziehen Sie den Anschluss nach unten, während Sie auf seine Oberseite drücken, wie dargestellt.

► **Abb.32**

Blasen

Richten Sie die Spitze des Gebläseaufsatzes auf das wegzublasende Objekt, und schalten Sie dann das Werkzeug ein.

► **Abb.33**

WARTUNG

⚠ VORSICHT: Vergewissern Sie sich vor der Durchführung von Inspektions- oder Wartungsarbeiten stets, dass das Werkzeug ausgeschaltet und der Akku abgenommen ist.

ANMERKUNG: Verwenden Sie auf keinen Fall Benzin, Waschbenzin, Verdünnern, Alkohol oder dergleichen. Solche Mittel können Verfärbung, Verformung oder Rissbildung verursachen.

Um die SICHERHEIT und ZUVERLÄSSIGKEIT dieses Produkts zu gewährleisten, sollten Reparaturen und andere Wartungs- oder Einstellarbeiten nur von Makita-Vertragswerkstätten oder Makita-Kundendienstzentren unter ausschließlicher Verwendung von Makita-Originalersatzteilen ausgeführt werden.

Reinigen

Wischen Sie die Außenseite (Staubsauger-Hauptteil) des Staubsaugers von Zeit zu Zeit mit einem mit Seifenwasser getränkten Tuch ab. Reinigen Sie auch die Saugöffnung, den Staubsack/ Papierfilter-Montagebereich und den Staubsackanschlag.
► **Abb.34**

Waschen Sie den Staubsack in Seifenwasser aus, wenn er mit Staub zugesetzt ist und die Saugergeräteleistung nachlässt. Lassen Sie ihn vor der Benutzung gründlich trocknen. Ein noch feuchter Filter kann schlechte Saugleistung verursachen und die Lebensdauer des Motors verkürzen.

► **Abb.35**

HINWEIS: Der Papierfilter ist ein Wegwerfartikel.

Wenn der Schwammfilter mit Staub zugesetzt ist, nehmen Sie ihn aus dem Staubsauger heraus, und wischen Sie ihn ab, oder waschen Sie ihn in Wasser aus.

Herausnehmen und Einsetzen des Schwammfilters

⚠ VORSICHT: Denken Sie daran, den Schwammfilter nach dem Reinigen wieder in den Staubsauger einzusetzen. Wenn er in Wasser ausgewaschen wurde, lassen Sie ihn vor dem Einsetzen trocknen. Ein noch feuchter Schwammfilter kann die Lebensdauer des Motors verkürzen.

Entfernen Sie den Schwammfilter durch Zusammendrücken und Herausnehmen, nachdem Sie den Staubsack bzw. den Papierfilter herausgenommen haben.

► **Abb.36:** 1. Schwammfilter

Drücken Sie die ganze Kante des Schwammfilters gegen die vertiefte Wand im Staubsack/ Papierfilter-Montagebereich.

► **Abb.37:** 1. Vertiefte Wand

Lagerung

⚠️ WARNUNG: Lassen Sie Akku und Ladegerät niemals in einem Auto liegen. Die Temperatur in einem in der Sonne geparkten Auto kann 50 °C übersteigen. Es kann zu einer Verschlechterung des Akkus und zu Ausströmen von Flüssigkeit, Rauchentwicklung oder einem Brand kommen.

► **Abb.38**

⚠️ WARNUNG: Benutzen Sie das Ladegerät niemals in einem Lagerbeutel. Blockierung der Ventilationsöffnungen kann zu Rauchentwicklung oder einem Brand führen.

► **Abb.39**

⚠️ WARNUNG: Laden Sie den Akku niemals mit einem fahrzeuginternen Wechselrichter auf. Es kann sonst zu ungewöhnlich starker Wärmeentwicklung kommen, die einen Brand verursachen kann.

⚠️ WARNUNG: Laden Sie den Akku niemals in einem Auto auf. Wird der Akku einem Temperaturbereich außerhalb von 10 °C - 40 °C ausgesetzt, kann er Wärme und/oder einen Brand erzeugen oder explodieren.

⚠️ VORSICHT: Verstauen Sie den Schlauch immer wie dargestellt, damit keine Personen darüber stolpern, wenn das Saugergerät nicht benutzt wird.

Anderenfalls kann der abgewickelte Schlauch Ihren Fuß erfassen und Personenschäden verursachen.

► **Abb.40:** 1. Haken 2. Schlauch

Fehlersuche

Bevor Sie eine Reparatur anfordern, überprüfen Sie bitte die folgenden Punkte.

Symptom	Prüfbereich	Abhilfeverfahren
Schwache Saugkraft	Ist der Staubsack oder der Papierfilter voll Staub?	Staubsack oder Papierfilter leeren.
	Ist der Staubsack verstopft?	Den Staubsack abstauben oder waschen.
	Ist der Papierfilter verstopft?	Den Papierfilter austauschen.
	Ist der Akku erschöpft?	Laden Sie den Akku auf.
Gerät funktioniert nicht	Ist der Akku erschöpft?	Laden Sie den Akku auf.
Die Staubsammelbehälterabdeckung lässt sich nicht schließen.	Ist der Staubsack oder der Papierfilter eingesetzt?	Setzen Sie den Staubsack oder Papierfilter ein.

HINWEIS: Versuchen Sie nicht, den Staubsauger selbst zu reparieren.

SONDERZUBEHÖR

⚠️ VORSICHT: Die folgenden Zubehörteile oder Vorrichtungen werden für den Einsatz mit dem in dieser Anleitung beschriebenen Makita-Werkzeug empfohlen. Die Verwendung anderer Zubehörteile oder Vorrichtungen kann eine Verletzungsgefahr darstellen. Verwenden Sie Zubehörteile oder Vorrichtungen nur für ihren vorgesehenen Zweck.

- Zyklonaufsatz
- Staubsack
- Hochleistungs-Staubsack
- Tasche
- Original-Makita-Akku und -Ladegerät

HINWEIS: Manche Teile in der Liste können als Standardzubehör im Werkzeugsatz enthalten sein. Sie können von Land zu Land unterschiedlich sein.

Wenn Sie weitere Einzelheiten bezüglich dieser Zubehörteile benötigen, wenden Sie sich bitte an Ihre Makita-Kundendienststelle.

- Verlängerungsrohr (gerades Rohr)
- Düse
- Düse für Teppich
- Regalbürste
- Spitzdüse
- Rundbürste
- Flexibler Schlauch
- Papierfilter
- Freie Düse
- Sitzdüse
- Spaltendüse

Makita Europe N.V. Jan-Baptist Vinkstraat 2,
3070 Kortenberg, Belgium

Makita Corporation 3-11-8, Sumiyoshi-cho,
Anjo, Aichi 446-8502 Japan

www.makita.com

885692A977 EN, PL, HU, SK, CS, UK, RO, DE 20190222
